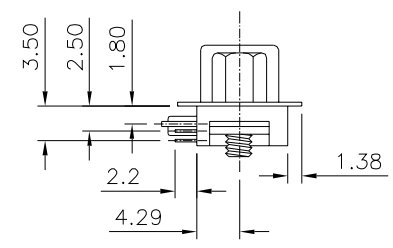
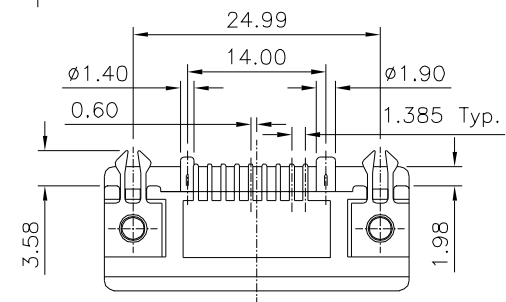
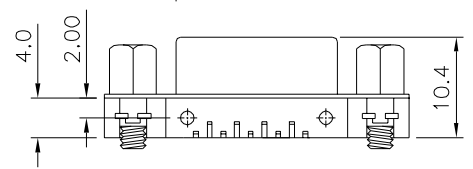
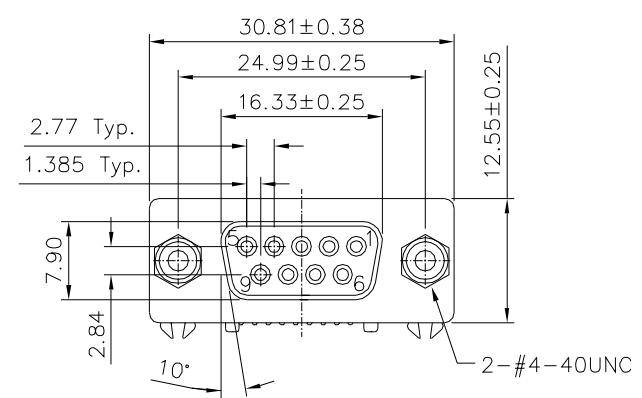


Recommended P.C.B Layout (Top View)
(PCB Board Tolerance ±0.05)



SPECIFICATION

Housing: PBT+30%G.F.(UL94V-0), Black
 Terminal: Phosphor Bronze, Gold Flash On Contact Area, Tin Plated On Solder Tails. Over Nickel
 Metal Shell: Steel, Nickel Plated Over Copper
 Boardlock: Brass, Tin Plated Over Nickel
 Nut & Screw: Brass, Nickel Plated
 Screw Meets Torque Withstanded 2.kgf-cm Min.
 Recommended P.C.B Thickness: 1.60±0.05mm
 RoHS Compliant

4UCON 元化興業股份有限公司
 4UCON TECHNOLOGY INC.

DRAWING No.		APPROVED BY		UNLESS OTHERWISE SPECIFIED TOLERANCES ARE .X ±0.30 .XX ±0.20 .XXX ±0.10 ANG. ±3°
22641		MEI		
		CHECKED BY HZF		
DRAWING BY LZX		UNIT		
SCALE	NONE	REV.	A0	

NO.	REV.	REVISIONS	CHK	DATE
△ A0		NEW RELEASE	HZF	09/01/2023