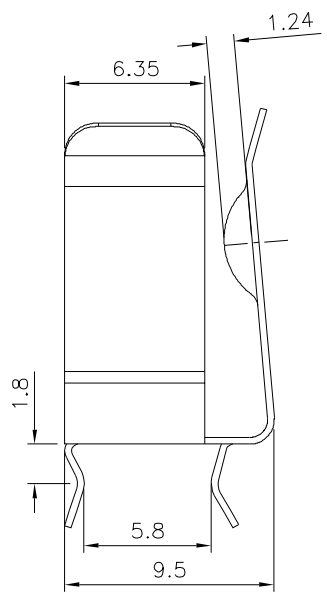
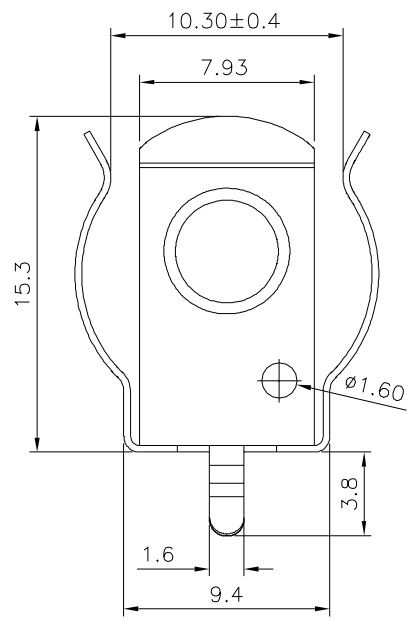


Recommended P.C.B. Layout(Top View)



Battery Size	L
AA	33.5
1/2AA	7.9

RoHS Compliant

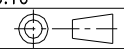
No.	Description	Q'ty	Material	Remark
①	Terminal +	1	Steel	Nickel Plated

4UCON 元化興業股份有限公司
4UCON TECHNOLOGY INC.

DRAWING No.
22676

APPROVED BY
MEI
CHECKED BY
HZF
DRAWING BY
CYP

UNLESS OTHERWISE SPECIFIED TOLERANCES ARE
X. ±0.30 X.* ±1"
.X ±0.25 .X.* ±0.5"
.XX ±0.20
.XXX ±0.10
UNIT mm



NO.	REV.	REVISIONS	CHK	DATE
△	A0	NEW RELEASE	HZF	11/06/2019