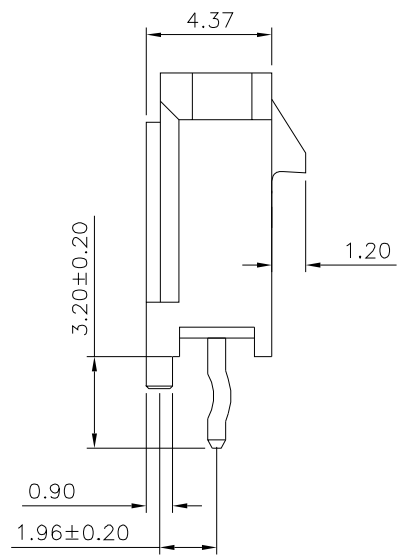


SPECIFICATION

- Material&Finish**
Housing: PA66+15%G.F.(UL94V-0), Black
Contact: Brass, Tin Plated
- Electrical Characteristics**
Current Rating: 5A AC/DC
Voltage Rating: 250V AC/DC
Contact Resistance: 20 Milliohms Max.
Insulation Resistance: 1000 Megaohms Min.
Withstand Voltage: 1500V AC/Minute
- Environmental Characteristics**
Temperature Range: $-25^{\circ}\text{C} \sim +85^{\circ}\text{C}$
- RoHS Compliant**

Pin	A	B
02	3.00	9.65
03	6.00	12.65
04	9.00	15.65
05	12.00	18.65
06	15.00	21.65
07	18.00	24.65
08	21.00	27.65
09	24.00	30.65
10	27.00	33.65
11	30.00	36.65
12	33.00	39.65



4UCON 元化興業股份有限公司
4UCON TECHNOLOGY INC.

DRAWING No.		APPROVED BY		UNLESS OTHERWISE SPECIFIED TOLERANCES ARE X. ± 0.30 XX ± 0.25 XXX ± 0.20 XXX ± 0.05 ANG. $\pm 1^{\circ}$
22716		MEI		
		CHECKED BY	HZF	
		DRAWING BY	CYP	
SCALE	NONE	REV.	B0	UNIT mm

NO.	REV.	DESCRIPTION	CHK	DATE
	B0	NEW RELEASE	HZF	03/09/2022
		REVISIONS		