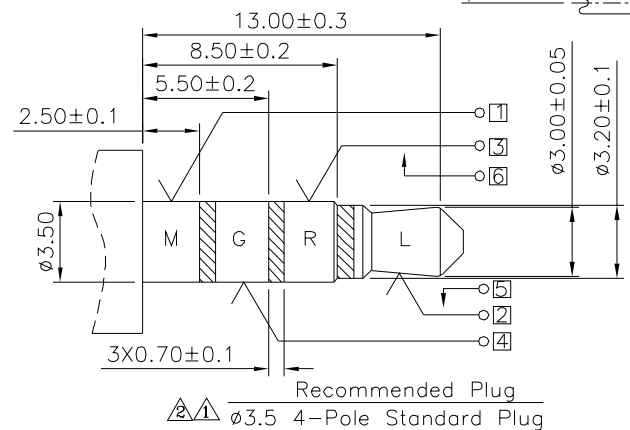
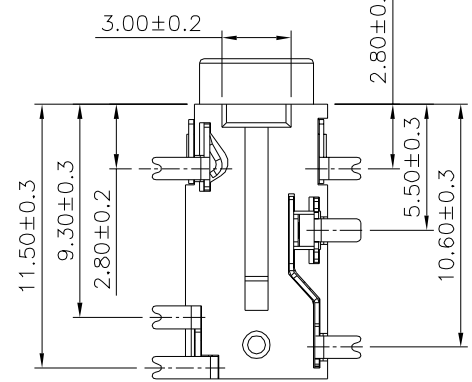
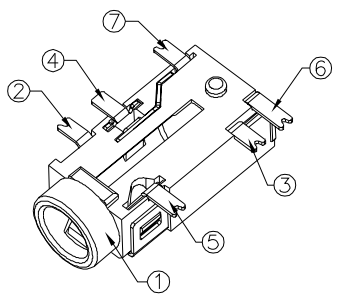


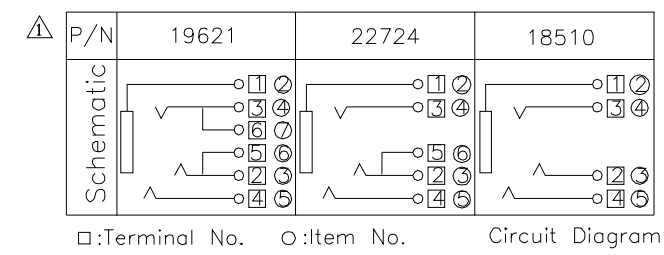
Recommended P.C.B. Layout (Top View)
(PCB Board Tolerance ±0.05)

△ SPECIFICATION
 Rating: DC 30V 0.5A
 Withstand Voltage: 500V AC
 Contact Resistance: 30 Milliohms Max.
 After Test: 50 Milliohms Max.
 Insulation Resistance: 100 Megaohms Min. (DC 500V)
 After Test: 50 Megaohms Min.
 Insertion And Extraction Force: 3~30N
 Operation Temperature: -20°C ~ +70°C
 RoHS Compliant



Recommended Plug
 △△ φ3.5 4-Pole Standard Plug

No.	Description	Q'ty	Material	Remark
⑦	Shunt Terminal	1	Phosphor Bronze	Gold Plated Over Nickel
⑥	Shunt Terminal	1	Brass	Gold Plated Over Nickel
⑤	Ring Spring	4	Phosphor Bronze	Gold Plated Over Nickel
④	Ring Spring	1	BeCu	Gold Plated Over Nickel
③	Tip Spring	2	BeCu	Gold Plated Over Nickel
②	Earth Spring	1	Phosphor Bronze	Gold Plated Over Nickel
①	Housing	1	PA10T, UL94V-0	Black



4UCON 元化興業股份有限公司
 4UCON TECHNOLOGY INC.

DRAWING No. △		APPROVED BY		UNLESS OTHERWISE SPECIFIED TOLERANCES ARE .X ±0.38 X.* ±5* .XX ±0.30 .X.* ±3* .XXX ±0.15 .XX* ±2*
22724		MEI		
		HZF		
		DRAWING BY		UNIT mm
		CYP		
SCALE	NONE	REV.	B2	NO. REV.

NO.	REV.	REVISIONS	CHK	DATE
△	B2	Modify Data	HZF	08/24/2023
△	B1	Modify Data	HZF	06/04/2021
△	B0	Modify Data	HZF	10/22/2018
△	B0	NEW RELEASE	HZF	10/22/2018