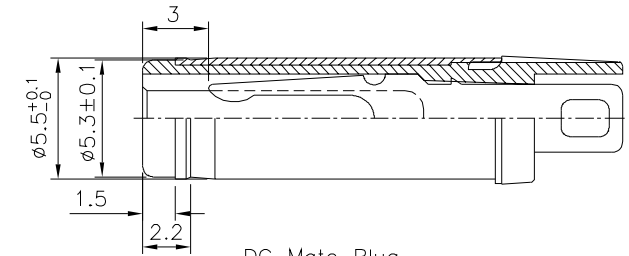
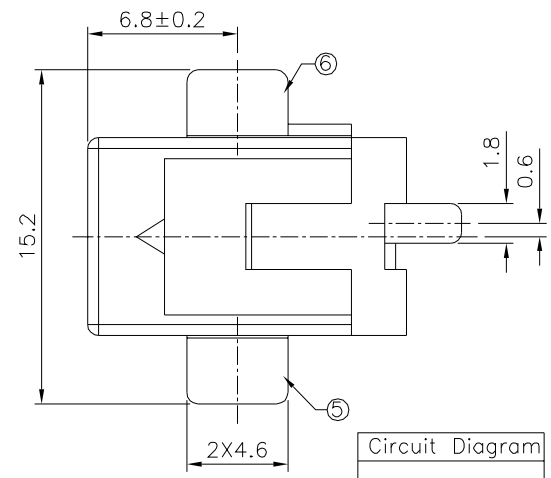
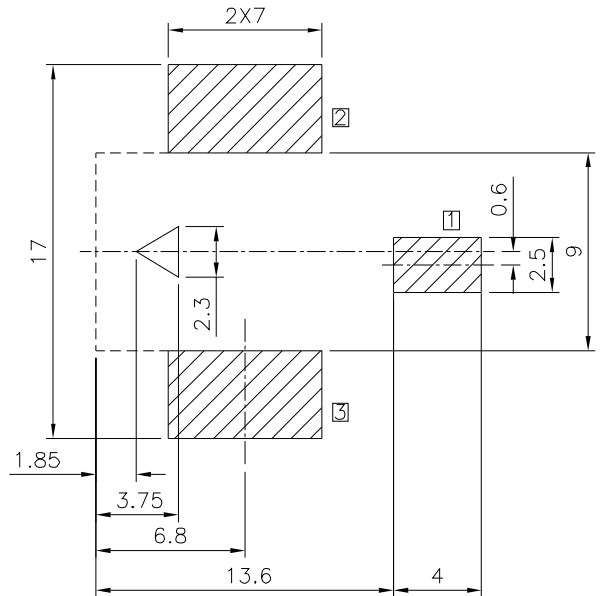
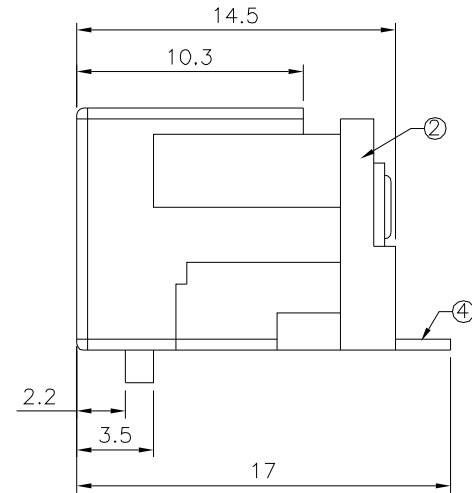
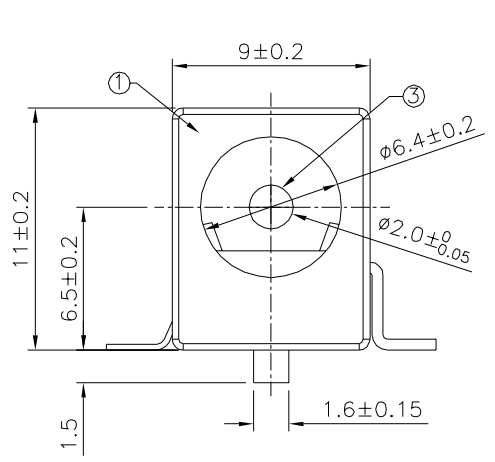
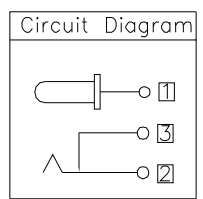


△SPECIFICATION

- △Rating:DC 24V 5A
- Withstand Voltage:500V AC
- Contact Resistance:30 Milliohms Max.
- After Treset:50 Milliohms Max.
- Insulation Resistance:100 Megaohms Min.(DC 250V)
- After Test:50 Megaohms Min.
- △Operation Temperature Range:-25°C~+85°C
- RoHS Compliant



DC Mate Plug



□ : Terminal No.

| No. | Description | Q'ty | Material | Finish |
|-----|---------------------|------|-----------------|---------------|
| ① | Housing | 1 | PA10T(UL94V-0) | Black |
| ② | Cover | 1 | PA10T(UL94V-0) | Black |
| ③ | Center Pin | 1 | Brass | Nickel Plated |
| ④ | Center Pin Terminal | 1 | Brass | Silver Plated |
| ⑤ | Tip Spring | 2 | Phosphor Bronze | Silver Plated |
| ⑥ | Shunt Terminal | 3 | Brass | Silver Plated |

Recommended P.C.B. Layout(Copper-Sided View)
(PCB Board Tolerance±0.05)

4UCON 元化興業股份有限公司
4UCON TECHNOLOGY INC.

| | | | | |
|-------------|--|----------------|--|---|
| DRAWING No. | | APPROVED BY | | UNLESS OTHERWISE SPECIFIED TOLERANCES ARE X. ±0.3 .X ±0.3 ANG. ±2° |
| 22743 | | MEI | | |
| | | CHECKED BY HZF | | |
| SCALE NONE | | DRAWING BY CYP | | UNIT mm |
| REV. | | A3 | | NO.REV. |

| NO. | REV. | REVISIONS | CHK | DATE |
|-----|------|-------------|-----|------------|
| △A3 | | Modify Data | HZF | 08/29/2024 |
| △A2 | | Modify Data | HZF | 01/17/2022 |
| △A1 | | Modify Data | HZF | 03/31/2021 |
| △A0 | | NEW RELEASE | HZF | 05/14/2016 |