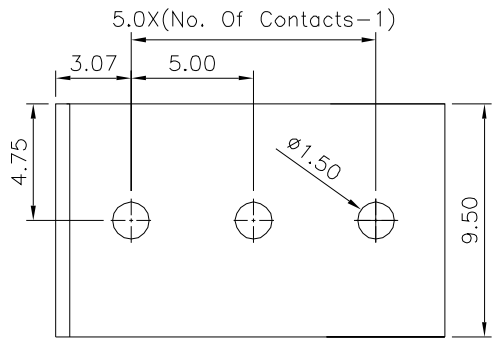
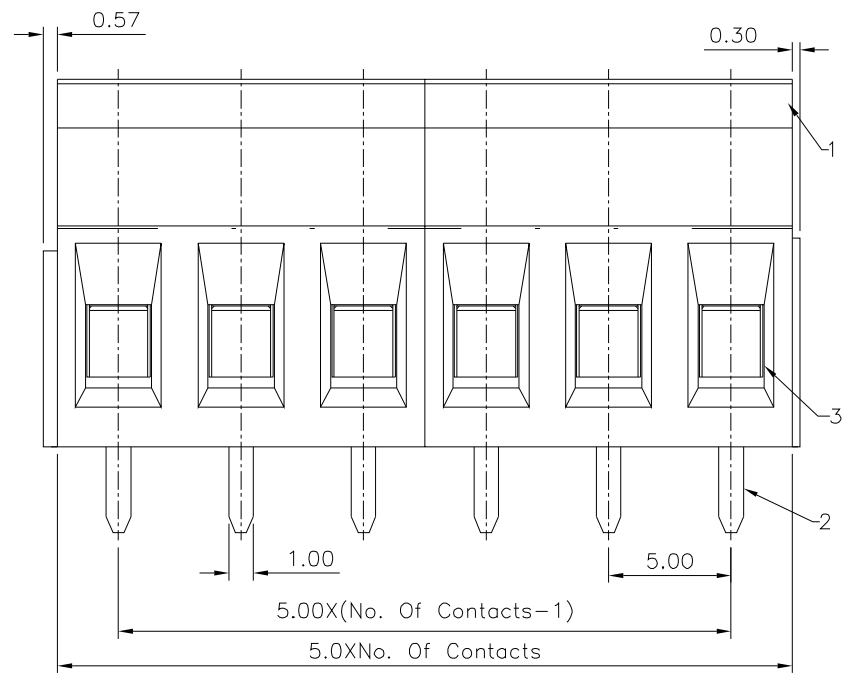
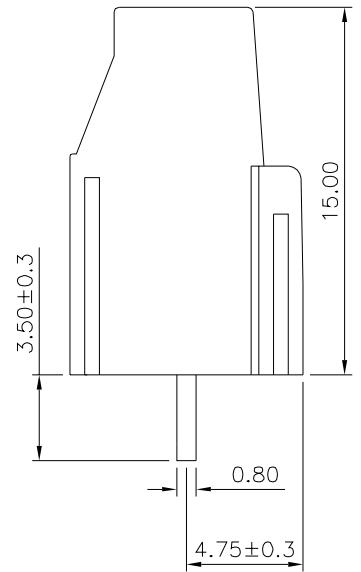
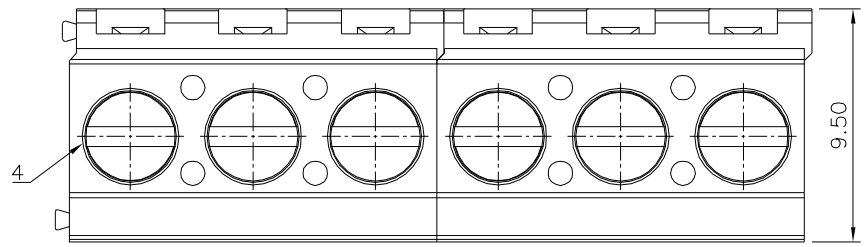


SPECIFICATION
 Current Rating:20A
 Voltage Rating:300V
 Wire Range:30-12AWG
 Withstanding Voltage:1600V/Minute
 Operation Temperature:-40°C~+105°C
 Screw/Torque:M3/0.5N.m Max.
 RoHS Compliant
 * 02~24P Available



Recommended P.C.B. Layout



Item	Name	Material	Notes
1	Housing	PA66	UL94V-0,Green
2	Header Pin	Copper Alloy	Tin Plated
3	Cage	Copper Alloy	M3/Nickel Plated
4	Screw	Steel	M3/Zinc Plated

4UCON 元化興業股份有限公司
 4UCON TECHNOLOGY INC.

DRAWING No. **22749**

APPROVED BY MEI
 CHECKED BY HZF
 DRAWING BY LSM

SCALE NONE REV. A0

UNLESS OTHERWISE SPECIFIED TOLERANCES ARE
 0<L≤6 ±0.20
 6<L≤10 ±0.30
 10<L≤30 ±0.50
 30<L≤60 ±0.70
 60<L≤100 ±1.00
 100<L≤160 ±1.30
 160<L ±1.60

UNIT mm

NO.	REV.	REVISIONS	CHK	DATE
△ A0		NEW RELEASE	HZF	03/05/2024