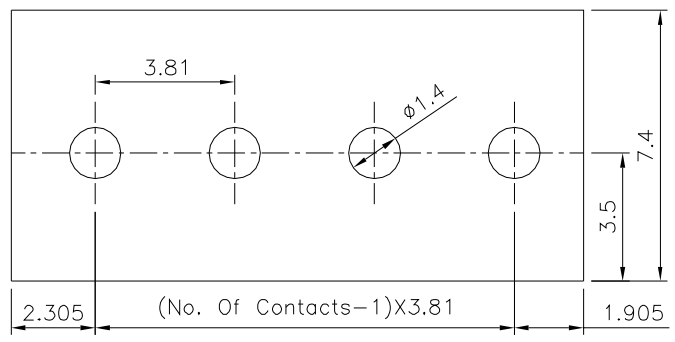
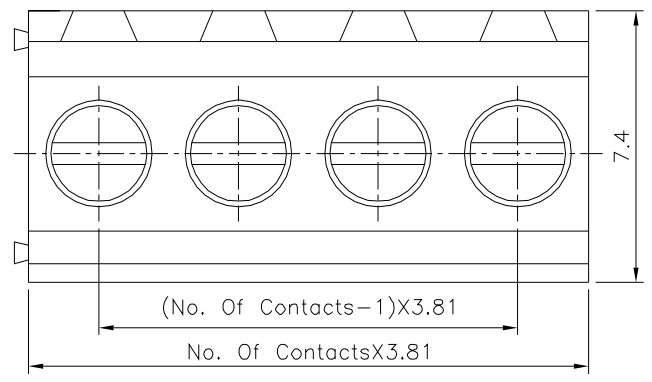
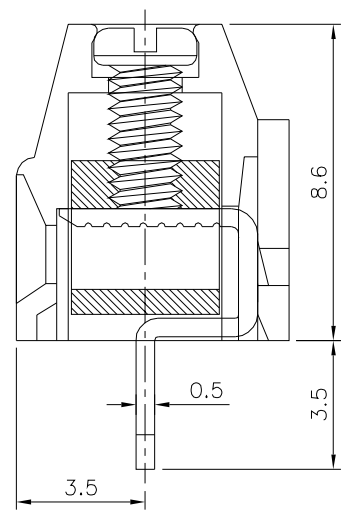
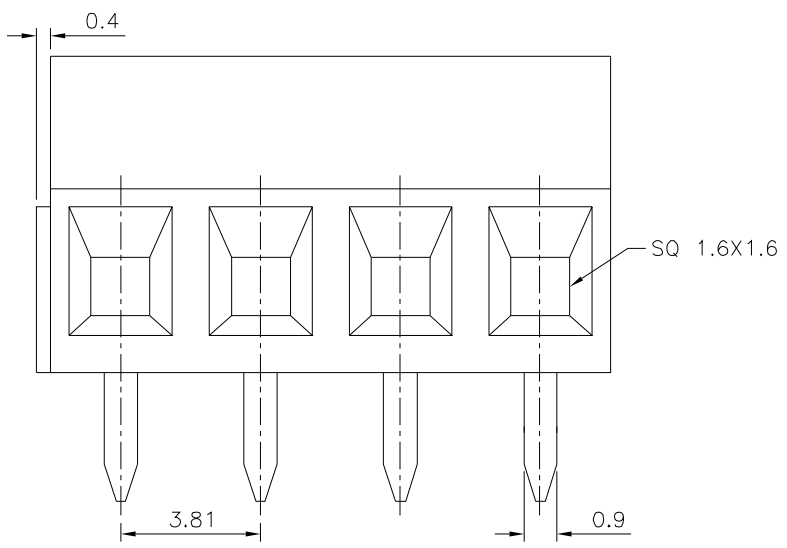


△ SPECIFICATION
 Voltage Rating:300V AC
 Current Rating:10 Amp/Way Max.
 Contact Resistance:20 Milliohms Max.
 Withstanding Voltage:2500V AC For 1 Minute
 Test Time=60Sec./1 PCS
 Wire Range:16~30 AWG
 Torque:2 Kgf.cm/M2
△ Operation Temperature:-40°C~+105°C
 Soldering Reliability:Test Temperature=250°C±10°C
 5 Seconds Max.
 Contact(Metal Housing):Copper Alloy,Nickel Plated
 Solder Pin:Copper Alloy,Tin Plated
 Terminal Screw:Steel,Galvanized,Cr3+ Plated
 Insulator Body(Housing):Polyamide(UL94V-0),Blue
 RoHS Compliant



△ Recommended P.C.B. Layout



4UCON 元化興業股份有限公司
 4UCON TECHNOLOGY INC.

DRAWING No.		APPROVED BY		UNLESS OTHERWISE SPECIFIED TOLERANCES ARE X. ±0.50 .X ±0.30 .XX ±0.20 ANG. ±1°
22758		EMILY		
		CHECKED BY HZF		
SCALE NONE		DRAWING BY HAO		UNIT mm
REV.	A2			

NO.	REV.	REVISIONS	CHK	DATE
△ A2		Modify Data	HZF	11/06/2014
△ A1		Modify Data	HZF	07/05/2011
△ A0		NEW RELEASE	HZF	04/15/2010