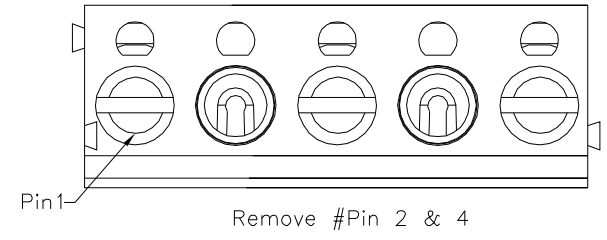
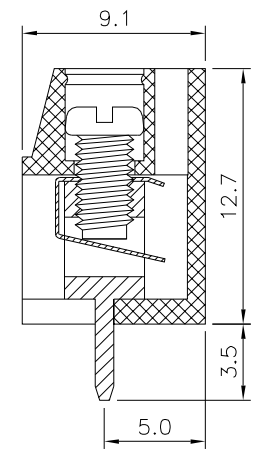
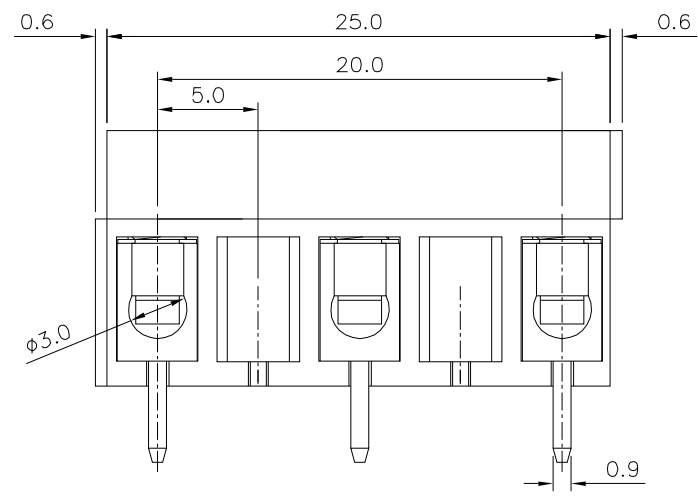


Recommended P.C.B. Layout



Remove #Pin 2 & 4



SPECIFICATION

Current Rating:15A/Way Max.
 Voltage Rating:250V AC
 Contact Resistance:20 Milliohms Max.
 Withstand Voltage:2500V AC/Minute
 Operation Temperature:-40°C~+105°C
 Torque:4.0 Kgf.cm/M3.0
 Wire Range:14~24 AWG
 Terminal:Copper Alloy,Tin Plated
 Screw:Steel,Galvanized With Cr3+ Plated
 Wire Guard:Stainless Steel
 Insulator:Polyamide(UL94V-0),Black
 RoHS Compliant

4UCON 元化興業股份有限公司
 4UCON TECHNOLOGY INC.

DRAWING No.		APPROVED BY		UNLESS OTHERWISE SPECIFIED TOLERANCES ARE X. ±0.50 .X ±0.30 .XX ±0.20 X.* ±1°
22796		MEI		
		CHECKED BY		
		HZF		
DRAWING BY		LSM		
SCALE	NONE	REV.	A0	UNIT mm

NO.	REV.	REVISIONS	CHK	DATE
△A0		NEW RELEASE	HZF	06/18/2024