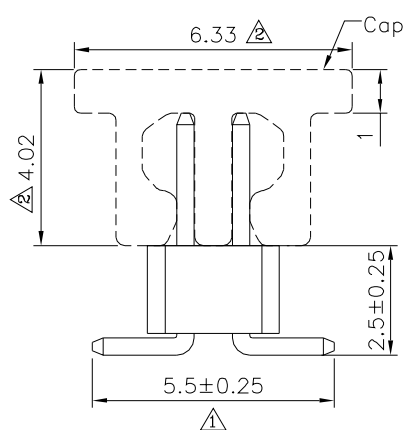
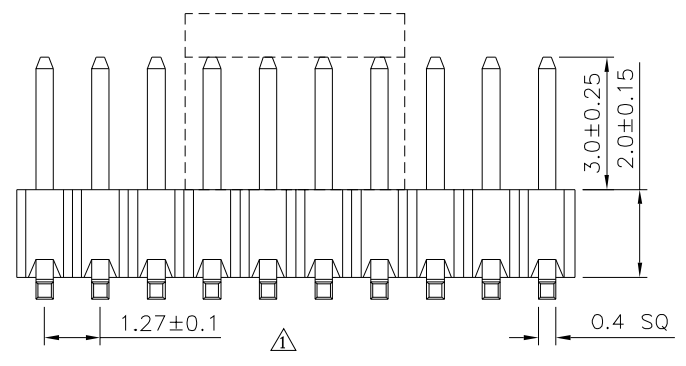
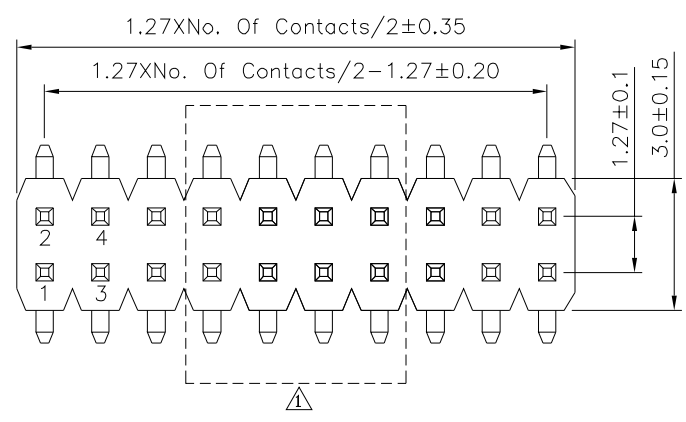
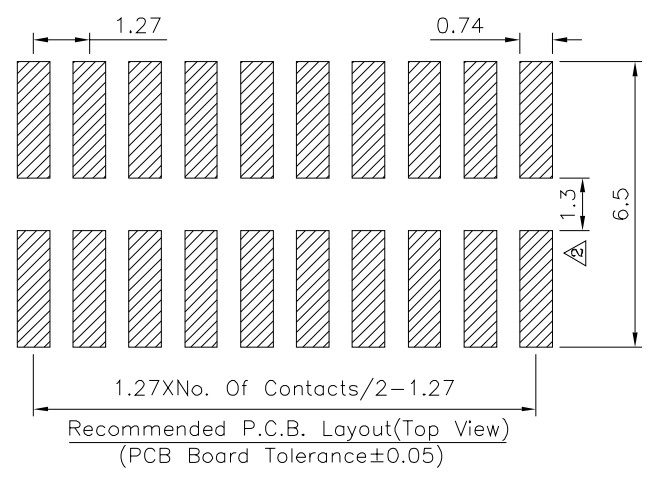


**SPECIFICATION**

Current Rating:1 Amp  
 Withstand Voltage:500V AC/Minute  
 Contact Resistance:20 Milliohms Max.  
 Insulation Resistance:1000 Megaohms Min.  
 Operating Temperature:-40°C~+105°C  
 Insulator:PA6T(UL94V-0),Black  
 Contact:Brass,Gold Flash Over Nickel  
 RoHS Compliant



**4UCON** 元化興業股份有限公司  
 4UCON TECHNOLOGY INC.

DRAWING No. 22979

APPROVED BY MEI  
 CHECKED BY HZF  
 DRAWING BY CYP  
 SCALE NONE REV. A2

UNLESS OTHERWISE SPECIFIED TOLERANCES ARE  
 X. ±0.25 X.\* ±2\*  
 .X ±0.20 .X\* ±1.5\*  
 .XX ±0.15 .XX\* ±1\*  
 .XXX ±0.10 .XXX\* ±0.5\*  
 UNIT mm

NO.	REV.	REVISIONS	CHK	DATE
△A2		Modify Data	HZF	11/28/2018
△A1		Modify Data	HZF	02/24/2017
△A0		NEW RELEASE	HZF	01/06/2016