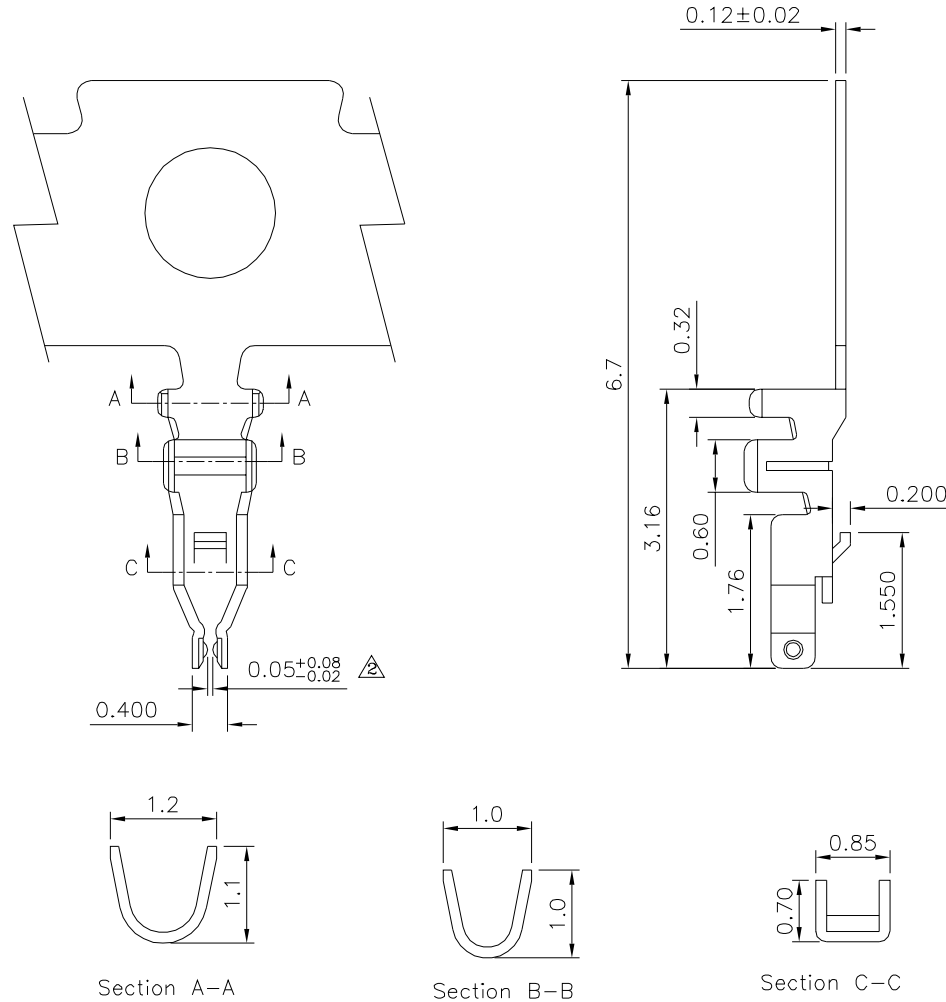


**△ SPECIFICATION**

Current Rating:1.5A AC/DC  
 Voltage Rating:50V AC/DC  
 Withstanding Voltage:500V AC/Minute  
 Contact Resistance:20 Milliohms Max.  
 Insulation Resistance:100 Megohms Min.  
 Temperature Range:-40°C~+105°C  
 Material:Phosphor Bronze  
 Gold Flash Over All,Over Nickel  
 Wire Range:AWG #28~#30  
 Insulation O.D.:0.75mm Max.  
 Q'ty:25000 PCS/Reel  
 RoHS Compliant



**4UCON** 元化興業股份有限公司  
 4UCON TECHNOLOGY INC.

DRAWING No. **23006**

APPROVED BY MEI  
 CHECKED BY HZF  
 DRAWING BY CYP

SCALE NONE

REV. A2

UNLESS OTHERWISE SPECIFIED TOLERANCES ARE

.X ±0.30	X° ±2°
.XX ±0.20	
.XXX ±0.10	

UNIT mm

NO.	REV.	REVISIONS	CHK	DATE
△ A2		Modify Data	HZF	11/04/2025
△ A1		Modify Data	HZF	09/01/2016
△ A0		NEW RELEASE	HZF	09/04/2015