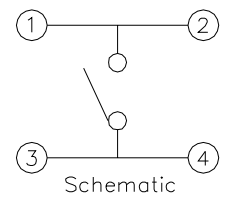
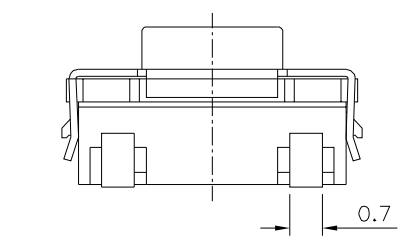
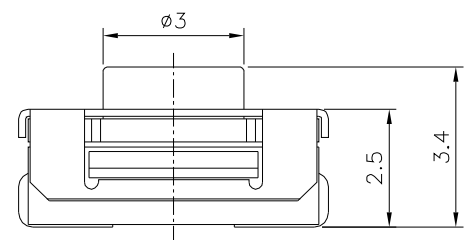
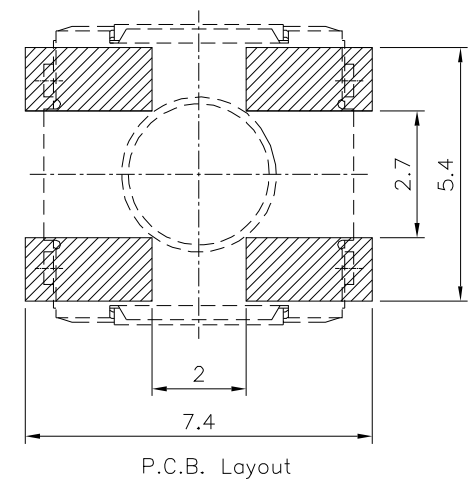
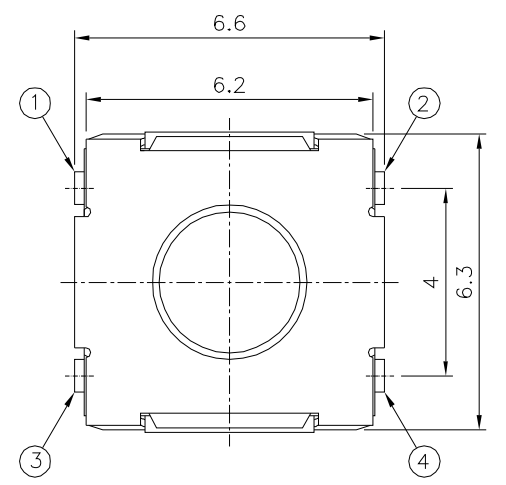


SPECIFICATION
 Rating:50mA 12V DC
 Withstand Voltage:100 AC For 1 Minute
 Insulation Resistance:100 Megaohms Min. At 100V DC
 Contact Resistance:100 Milliohms Max.
 Minimum Load:10mA 12V DC
 Operating Force:200±50g
 Life:100000 Cycles
 Travel:0.3±0.2mm
 RoHS Compliant



No.	Name	Material	Remark
1	Cover	Stainless Steel	No Plated
2	Stem	Silicone Rubber	Blue
3	Clip	Stainless Steel	No Plated
4	Case	PA6T	
5	Terminal	Brass	Silver Plated

4UCON 元化興業股份有限公司
 4UCON TECHNOLOGY INC.

DRAWING No.		APPROVED BY Jason Wu	
23103		CHECKED BY Leo Han	
		DRAWING BY Michelle Lee	
SCALE	NONE	REV.	A0

UNLESS OTHERWISE SPECIFIED TOLERANCES ARE
 .X ±0.30
 .XX ±0.20
 UNIT mm

NO.	REV.	REVISIONS	CHK	DATE
△ A0		NEW RELEASE	HZF	12/17/2025