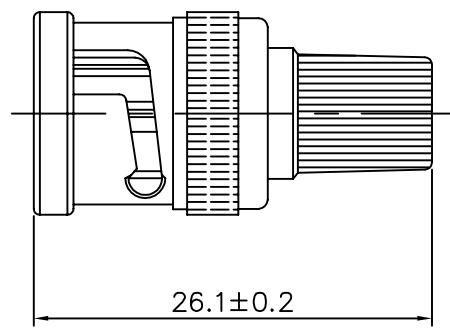
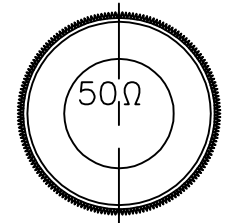
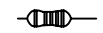
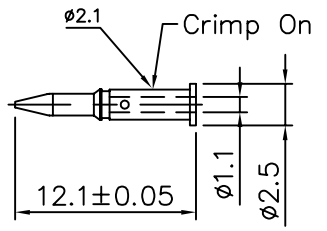
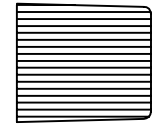
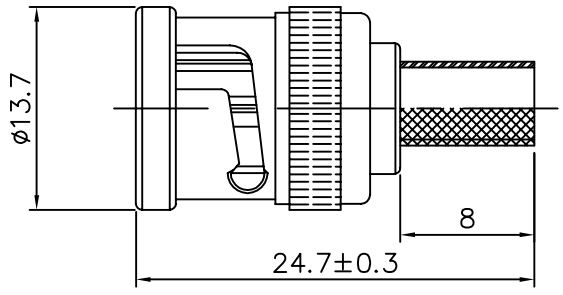


SPECIFICATIONS :
 Body : Zinc Alloy Diecasting, Nickel Plating
 Cap: Zinc Alloy Diecasting, Nickel Plating
 Pin : Brass, Gold Plating 3u"
 Dielectric : POM
 Washer : Brass, Nickel Plating
 Spring : SK-5
 Gasket : SI Rubber
 Resistor: Metal Film Resistor
 1/4 Watt ,50 Ohms ±1%



4UCON 元化興業股份有限公司
 4UCON TECHNOLOGY INC.

DRAWING No.		APPROVED BY		UNLESS OTHERWISE SPECIFIED TOLERANCES ARE
06560		MEI		
		RAN		
		DRAWING BY		X. ±0.5
		HZF		.X ±0.3
		A		.XX ±0.2
SCALE	NONE	REV.	A	UNIT mm

AREA	REVISIONS	CHK	DATE