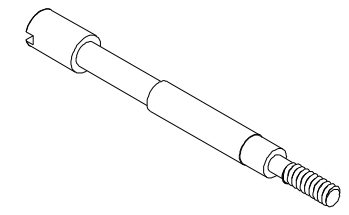
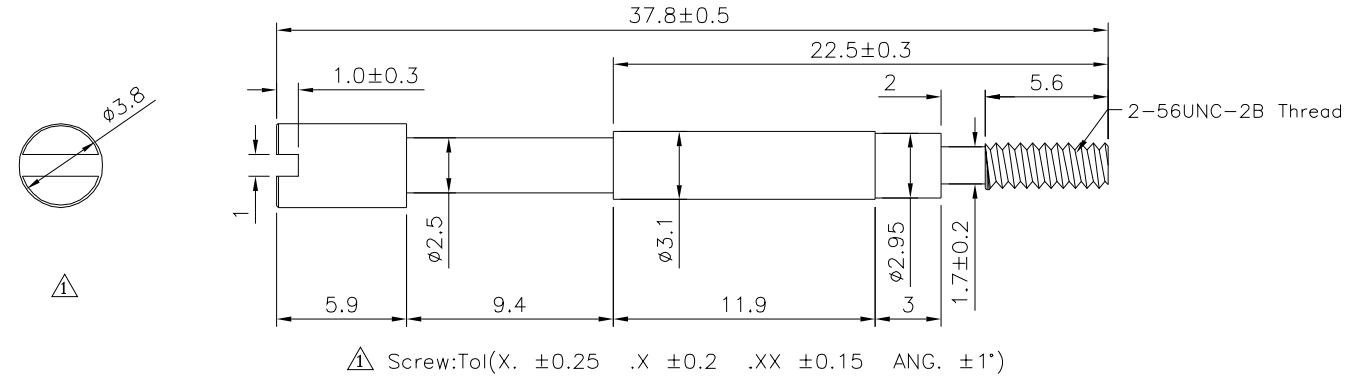
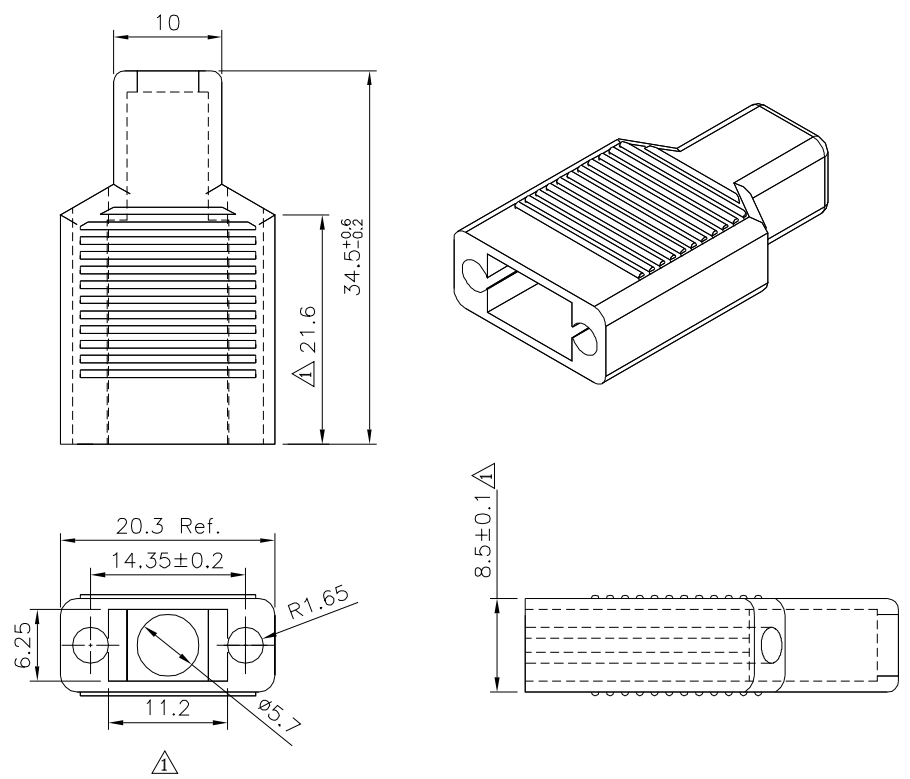


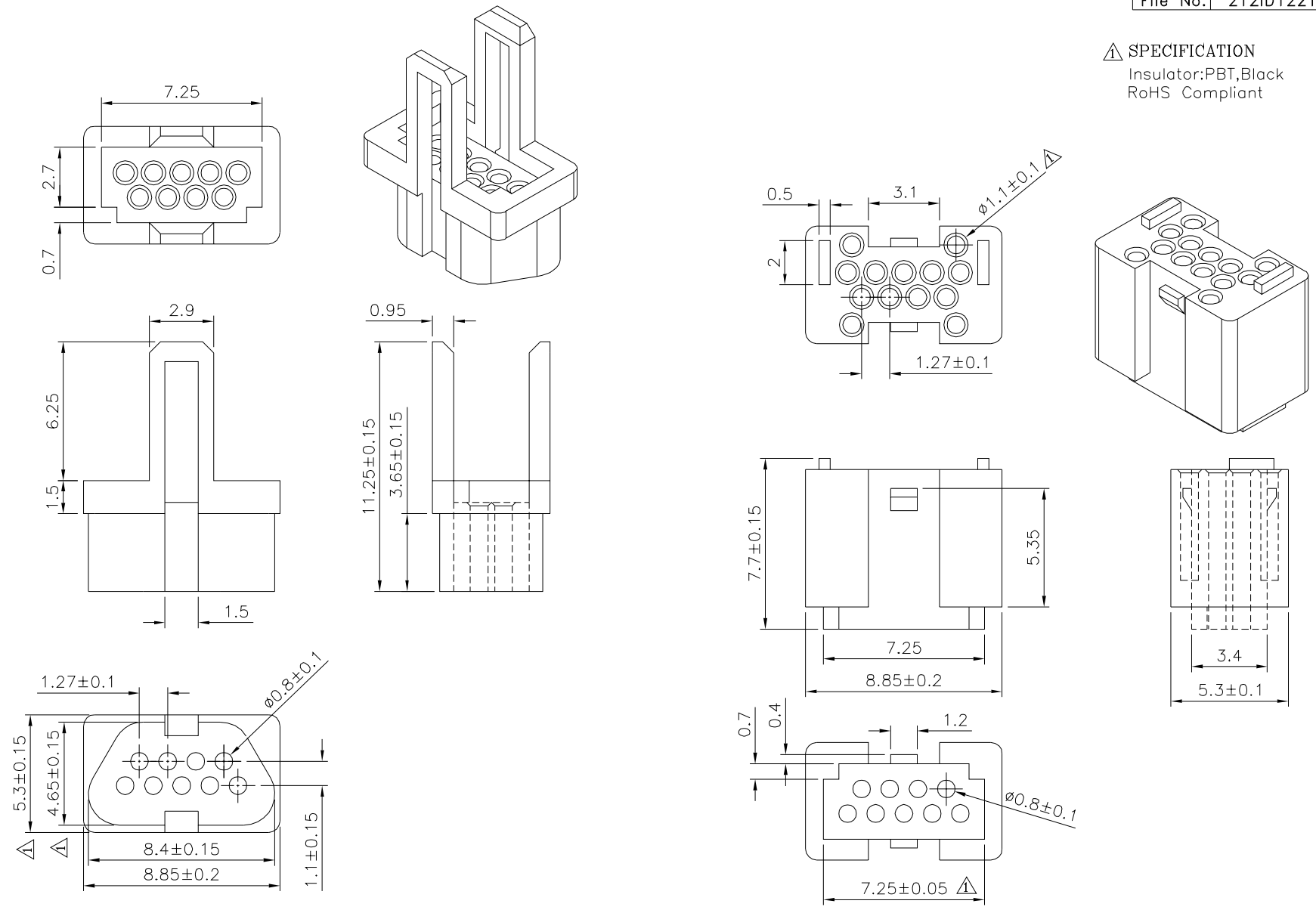
△ SPECIFICATION
 Screw: Steel, Nickel Plated
 Hood: TPU, Black
 RoHS Compliant



4UCON 元化興業股份有限公司
 4UCON TECHNOLOGY INC.

DRAWING No.		APPROVED BY		UNLESS OTHERWISE SPECIFIED TOLERANCES ARE △ X. ±0.25 .X ±0.2 .XX ±0.15
09591		MEI		
		CHECKED BY HZF		
SCALE NONE		DRAWING BY CYP		△ B1 Modify Data HZF 04/12/2018
REV. B1		UNIT mm		△ B0 NEW RELEASE BECKY 10/31/2005
				NO. REV. REVISIONS CHK DATE

△ SPECIFICATION
 Insulator:PBT,Black
 RoHS Compliant

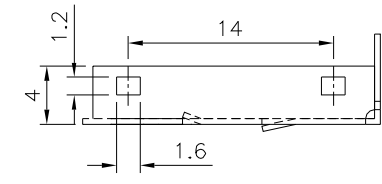
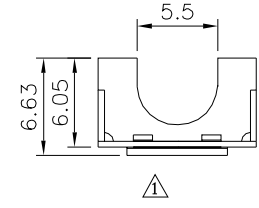
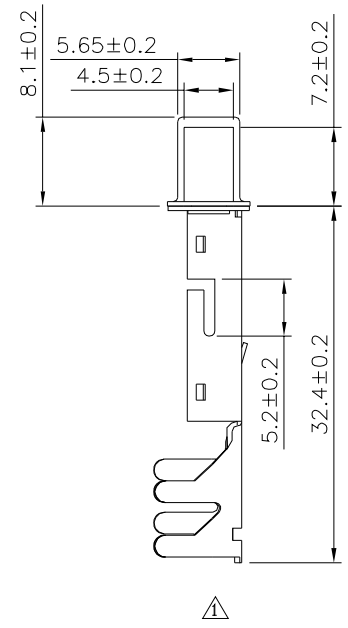
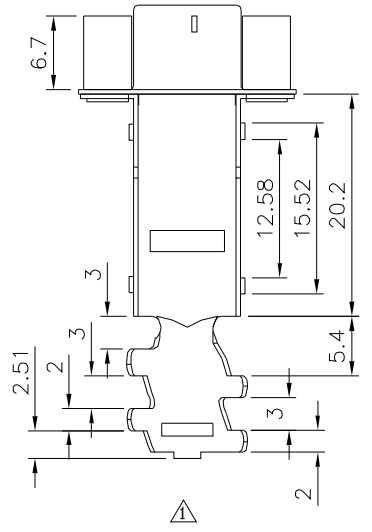
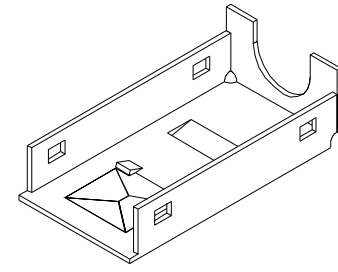
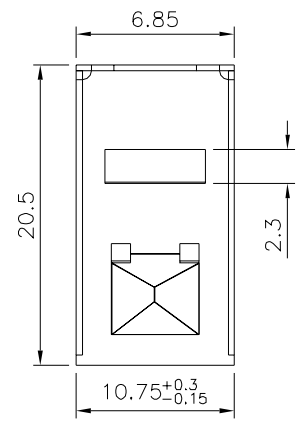
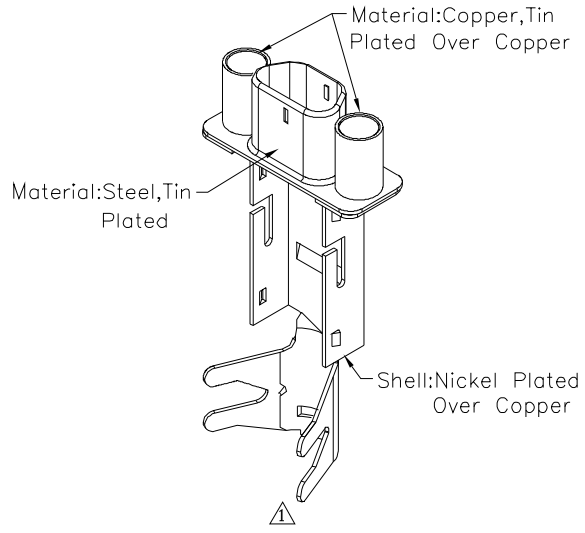
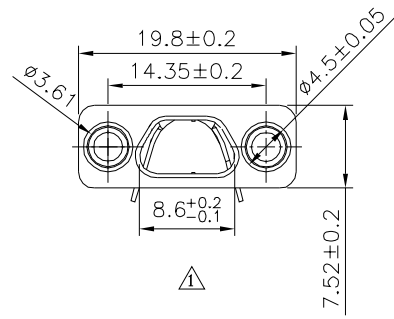


4UCON 元化興業股份有限公司
 4UCON TECHNOLOGY INC.

DRAWING No.		APPROVED BY		UNLESS OTHERWISE SPECIFIED TOLERANCES ARE △ X. ±0.25 .X ±0.2 .XX ±0.15
09591		MEI		
		HZF		
		DRAWING BY		UNIT mm
		CYP		
SCALE	NONE	REV.	B1	△

NO.	REV.	REVISIONS	CHK	DATE
△ B1		Modify Data	HZF	04/12/2018
△ B0		NEW RELEASE	BECKY	10/31/2005

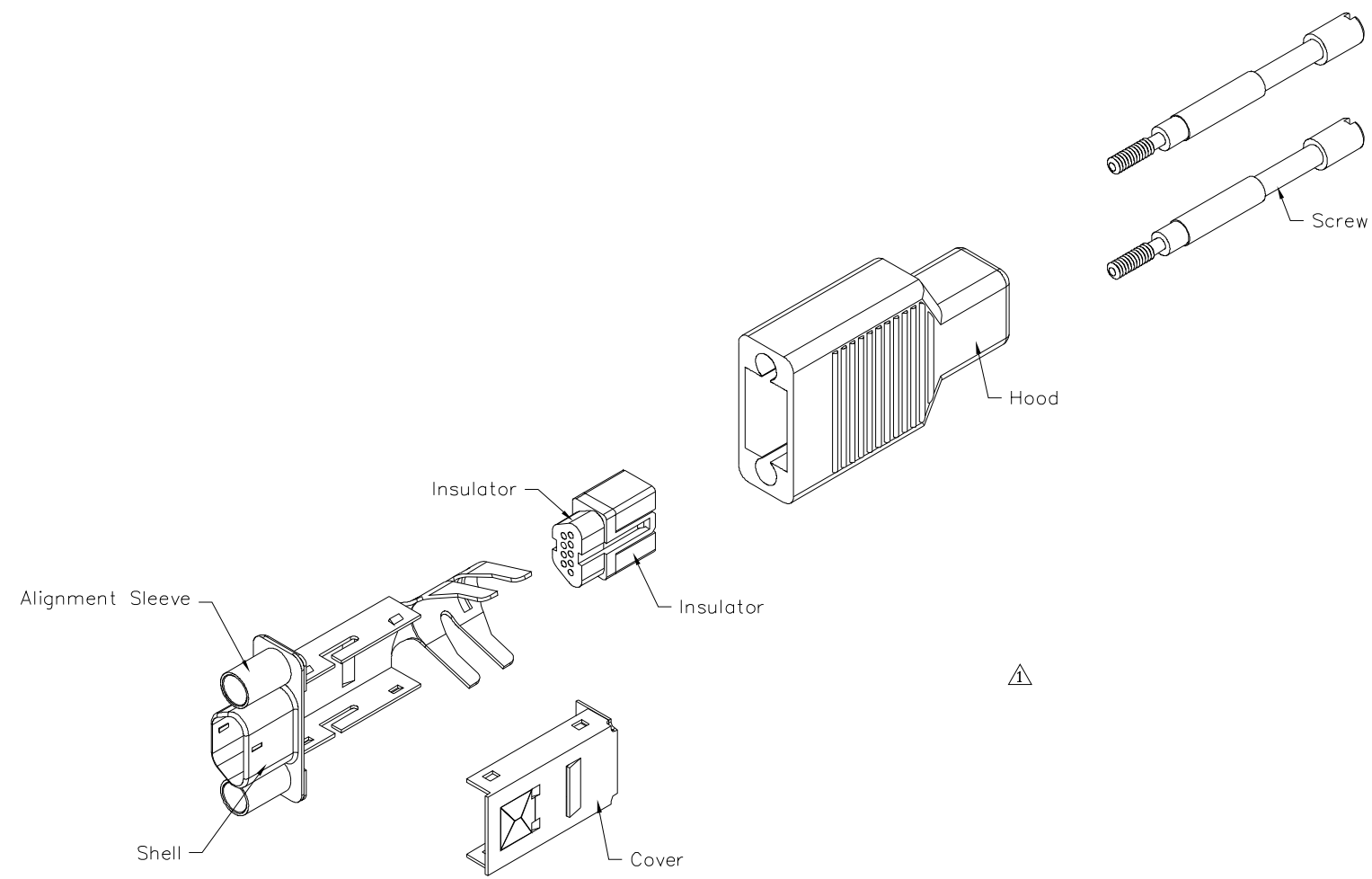
△ SPECIFICATION
 Cover:C7521R,Nickel Plated Over Copper
 Shell:C7521R,Nickel Plated Over Copper
 RoHS Compliant



4UCON 元化興業股份有限公司
 4UCON TECHNOLOGY INC.

DRAWING No.		APPROVED BY		UNLESS OTHERWISE SPECIFIED TOLERANCES ARE X. ±0.25 .X ±0.2 .XX ±0.15 ANG. ±1°
09591		MEI		
		HZF		
		DRAWING BY		UNIT mm
		CYP		
SCALE	NONE	REV.	B1	

NO.	REV.	REVISIONS	CHK	DATE
△ B1		Modify Data	HZF	04/12/2018
△ B0		NEW RELEASE	BECKY	10/31/2005



4UCON 元化興業股份有限公司
4UCON TECHNOLOGY INC.

DRAWING No.		APPROVED BY	
09591		MEI	
		CHECKED BY	
		HZF	
		DRAWING BY	
		CYP	
SCALE	NONE	REV.	B1

UNLESS OTHERWISE SPECIFIED TOLERANCES ARE
 Δ X. ± 0.25
 Δ .X ± 0.2
 Δ .XX ± 0.15
 ANG. $\pm 1^\circ$

NO.	REV.	REVISIONS	CHK	DATE
Δ B1		Modify Data	HZF	04/12/2018
Δ B0		NEW RELEASE	BECKY	10/31/2005