

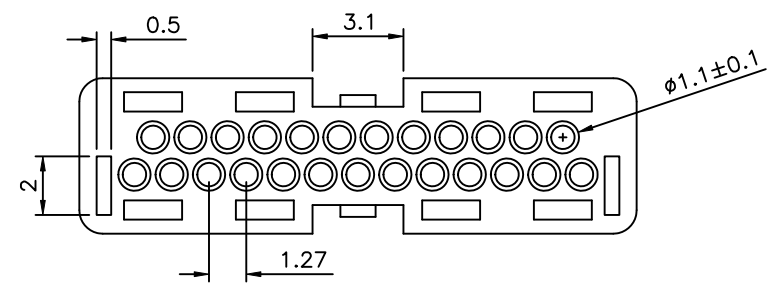
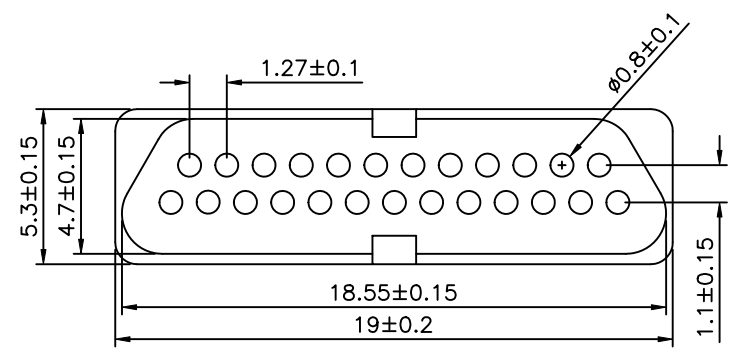
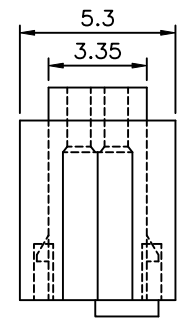
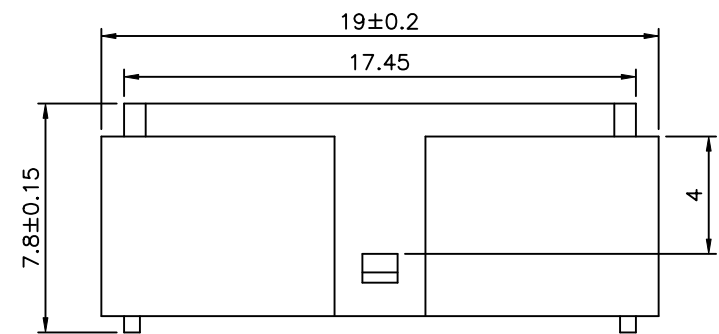
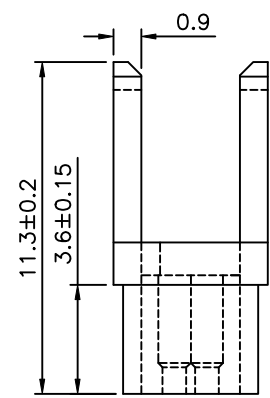
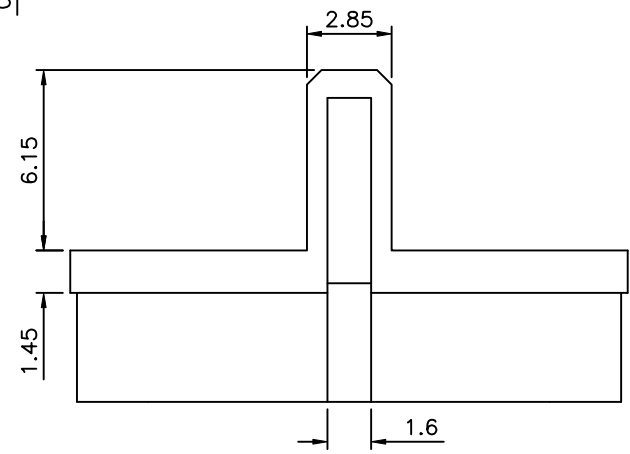
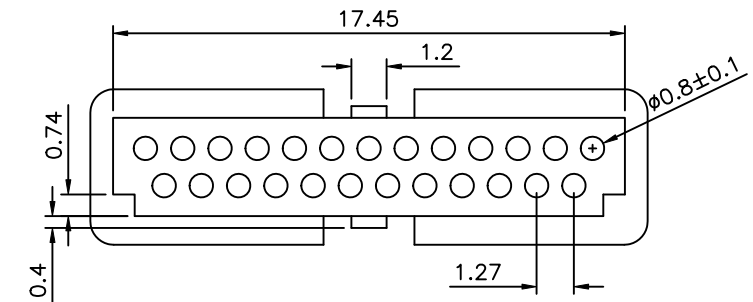
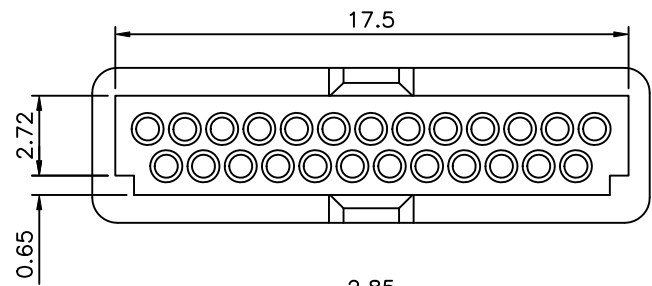
Item	Material	Finish	Q'ty
1	Thermoplastic		1
2	Thermoplastic		1
3	Steel	Tin Plated	1
4	Steel	Tin Plated	1
5	Thermoplastic		1
6	Thermoplastic	Gold	25
7	Steel	Nickel	2

4UCON 元化興業股份有限公司
4UCON TECHNOLOGY INC.

DRAWING No.		APPROVED BY		UNLESS OTHERWISE SPECIFIED TOLERANCES ARE .X ±0.25 .X ±0.2 .XX ±0.15
09593		MEI		
		CHECKED BY		
		BECKY		
		DRAWING BY		
		JLT		
SCALE	NONE	REV.	B1	UNIT
				mm

NO.	REV.	REVISIONS	CHK	DATE
△	B1	ADD DRAWING	HZF	09/04/2008
△	B0	NEW RELEASE	BECKY	03/29/2006

SPECIFICATION
 Insulator: Thermoplastic
 RoHS Compliant



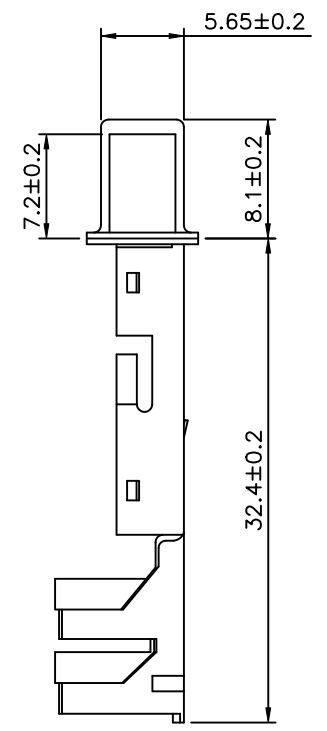
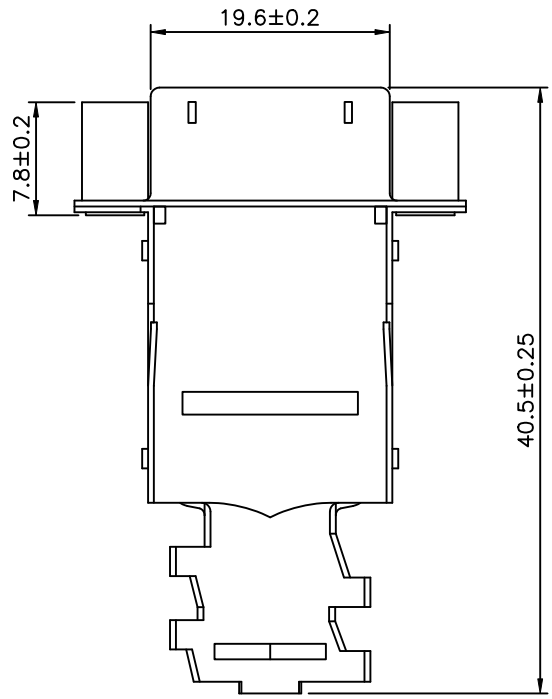
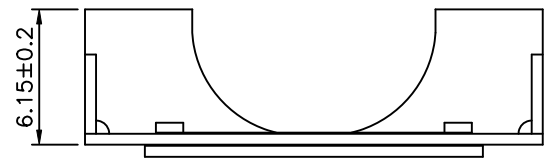
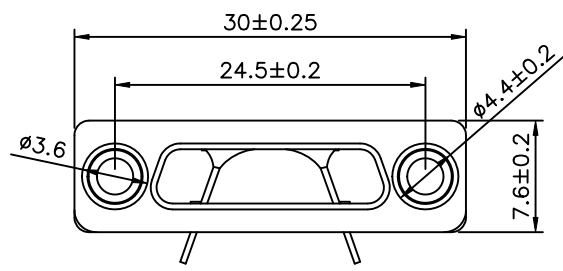
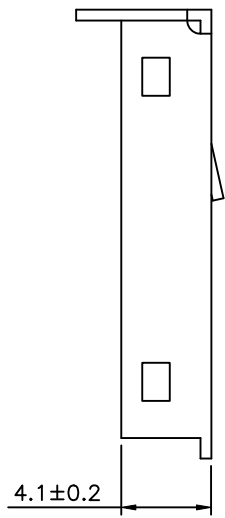
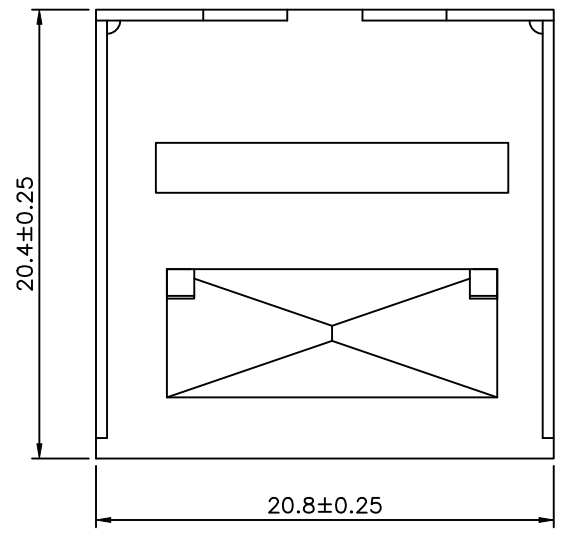
4UCON 元化興業股份有限公司
 4UCON TECHNOLOGY INC.

DRAWING No.		APPROVED BY		UNLESS OTHERWISE SPECIFIED TOLERANCES ARE X. ±0.25 .X ±0.2 .XX ±0.15
09593		MEI		
		CHECKED BY		
		BECKY		
		DRAWING BY		
		JLT		
SCALE	NONE	REV.	B1	UNIT
				mm

NO.	REV.	REVISIONS	CHK	DATE
△	B1	ADD DRAWING	HZF	09/04/2008
△	B0	NEW RELEASE	BECKY	03/29/2006

SPECIFICATION

Shell: Steel
 Finish: Tin Plated
 RoHS Compliant



4UCON 元化興業股份有限公司
 4UCON TECHNOLOGY INC.

DRAWING No.
 09593

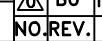
APPROVED BY MEI
 CHECKED BY BECKY
 DRAWING BY JLT

UNLESS OTHERWISE SPECIFIED TOLERANCES ARE
 X. ±0.25
 .X ±0.2
 .XX ±0.15

SCALE NONE

REV. B1

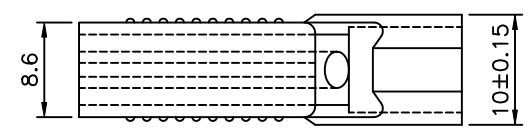
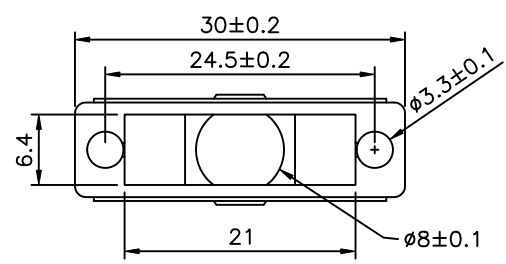
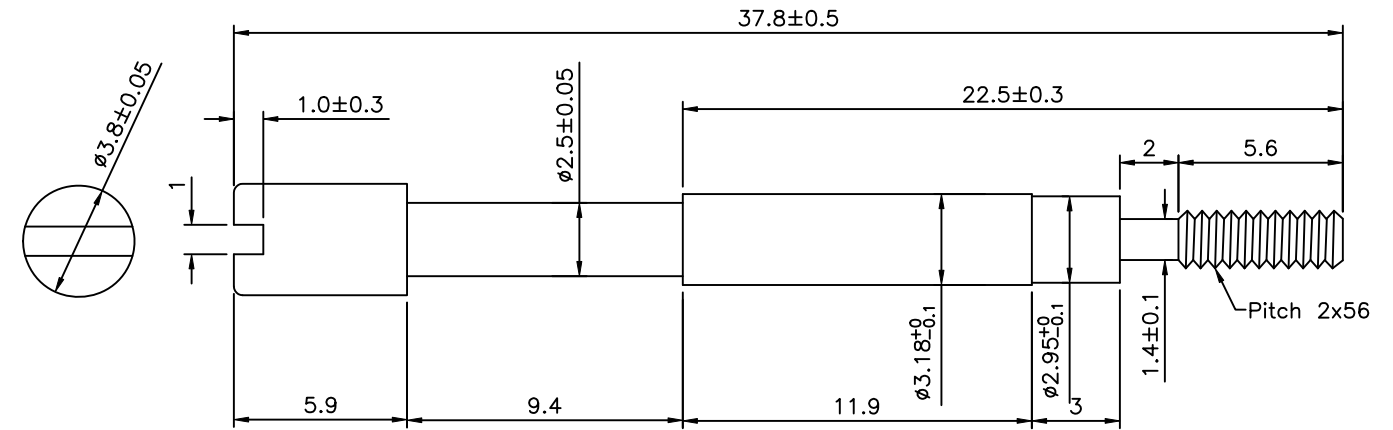
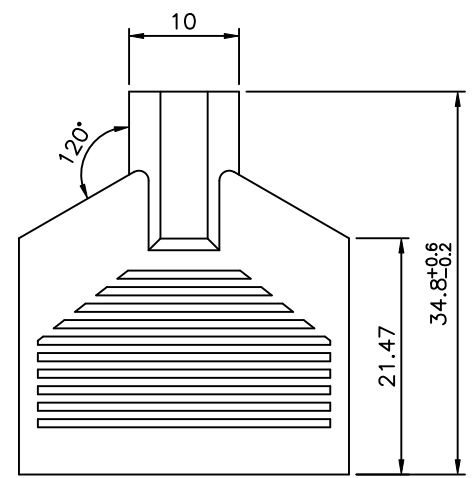
UNIT mm



NO.	REV.	REVISIONS	CHK	DATE
△	B1	ADD DRAWING	HZF	09/04/2008
△	B0	NEW RELEASE	BECKY	03/29/2006

SPECIFICATION

Hood: Thermoplastic
 Jackscrews: Steel
 Jackscrews: Nickel Over Copper
 RoHS Compliant



4UCON 元化興業股份有限公司
 4UCON TECHNOLOGY INC.

DRAWING No.		APPROVED BY		UNLESS OTHERWISE SPECIFIED TOLERANCES ARE X. ±0.25 .X ±0.2 .XX ±0.15
09593		MEI		
		BECKY		
		DRAWING BY		
		JLT		
SCALE	NONE	REV.	B1	UNIT mm

NO.	REV.	REVISIONS	CHK	DATE
△	B1	ADD DRAWING	HZF	09/04/2008
△	B0	NEW RELEASE	BECKY	03/29/2006