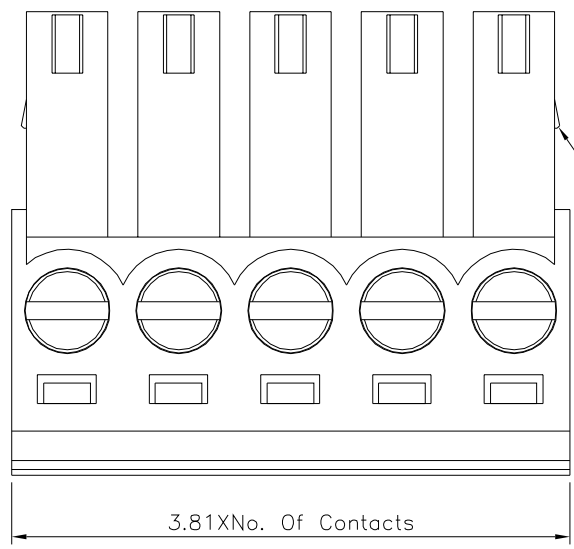
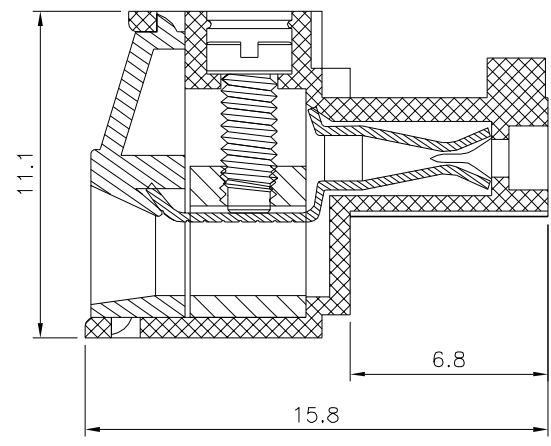
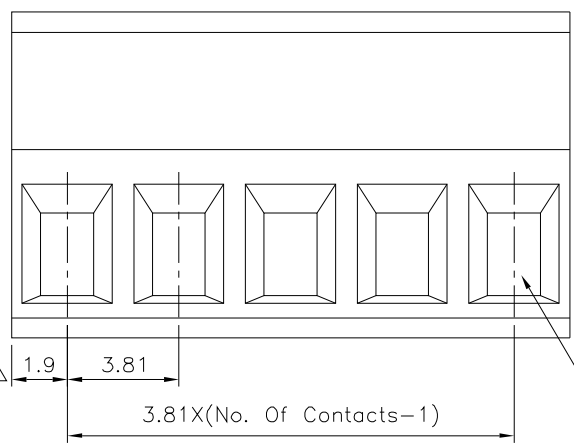


△ SPECIFICATION
 Current Rating:12 Amp/Way Max.
 Voltage Rating:300V AC
 Withstanding Voltage:2500V AC/Minute
 Test Time=60 Sec./1PCS
 Contact Resistance:20 Milliohms Max.
 Wire Range:16~24 AWG
 Torque:2.5 Kgf.cm/M2
 Operation Temperature:-40°C~+105°C
△ Soldering Reliability:
 Test Temperature=250°C±10°C/5 Seconds Max.
 Contact(Metal Housing):Copper Alloy,Nickel Plated
 Terminal Screw:Steel,Galvanze With Cr3+ Plated
△ Wire Guard:Phosphor Bronze,Tin Plated
 Insulator Body(Housing):Polyamide(UL94V-0),Green
 RoHS Compliant



2P~6P With Wedge,Above 7P
 Without Wedge(Including 7P)

△ Above 10P Tolerance Is ± 0.8
 -0.3



4UCON 元化興業股份有限公司
 4UCON TECHNOLOGY INC.

| | | | | |
|------------------------|------|--------------------|----|--|
| DRAWING No. △△△ | | APPROVED BY MEI | | UNLESS OTHERWISE SPECIFIED TOLERANCES ARE X. ±0.50 .X ±0.30 .XX ±0.20 ANG. ±1° |
| 15706 | | CHECKED BY HZF | | |
| | | DRAWING BY CYP | | |
| SCALE | NONE | REV. | A3 | UNIT mm |

| | | | | |
|-----|------|-------------|-----|------------|
| NO. | REV. | REVISIONS | CHK | DATE |
| △3 | A3 | Modify Data | HZF | 01/30/2016 |
| △2 | A2 | Modify Data | HZF | 10/25/2014 |
| △1 | A1 | Modify Data | HZF | 08/14/2012 |
| △0 | A0 | NEW RELEASE | HZF | 04/10/2009 |