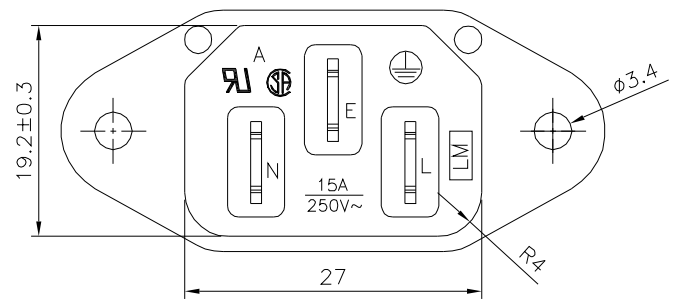
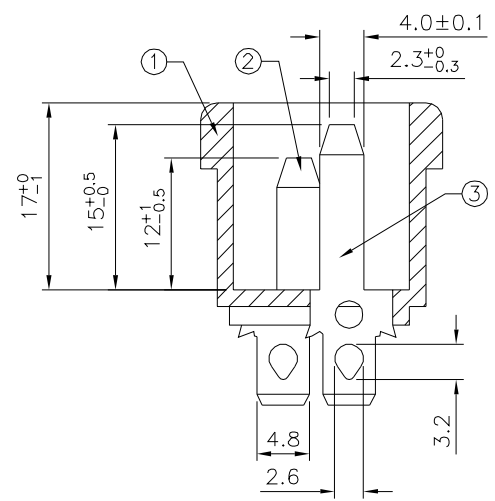
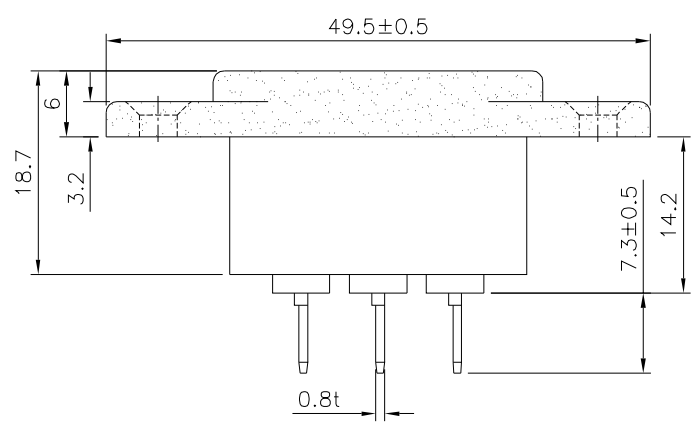
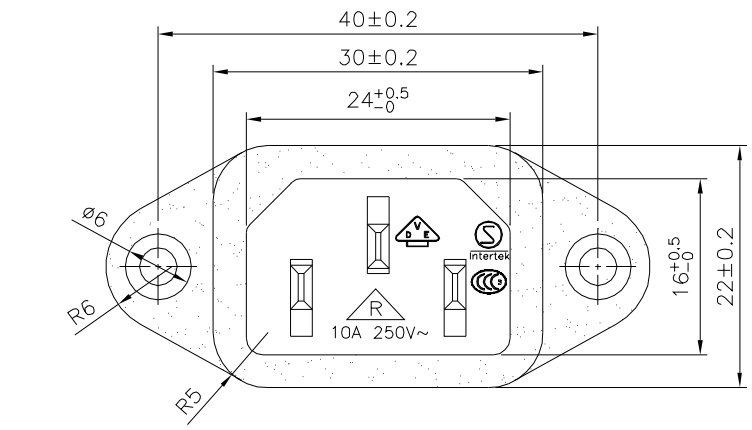


SPECIFICATION
 Rating:15A 250V AC
 Approvals:UL/CSA
 Rating:10A 250V AC
 Approvals:VDE/SEMKO/CCC
 RoHS Compliant



No.	Name	Material	Remark	Q'ty
1	Body Insulator	PBT	Black	1
2	Contact Pin	Brass	Tin Plated Over Nickel	2
3	Soldering Pin	Brass	Tin Plated Over Nickel	1

4UCON 元化興業股份有限公司
 4UCON TECHNOLOGY INC.

DRAWING No.		APPROVED BY		UNLESS OTHERWISE SPECIFIED TOLERANCES ARE X. ±0.4 .X ±0.3 .XX ±0.1 ANG. ±1°
19337		MEI		
		CHECKED BY		
SCALE		NONE		UNIT mm
		REV.		
		CYP		
		BO		

△ BO	NEW RELEASE	MEI	02/17/2017
NO.REV.	REVISIONS	CHK	DATE