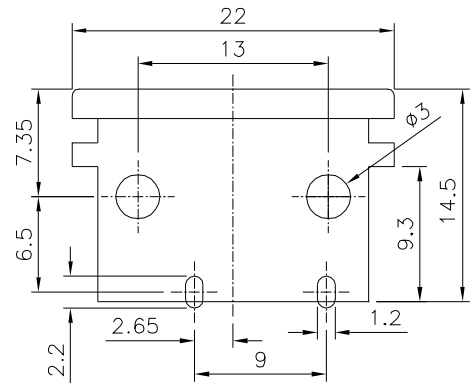
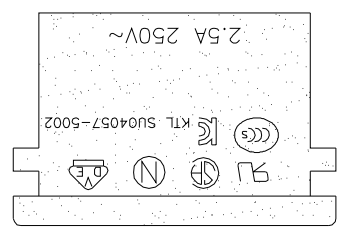
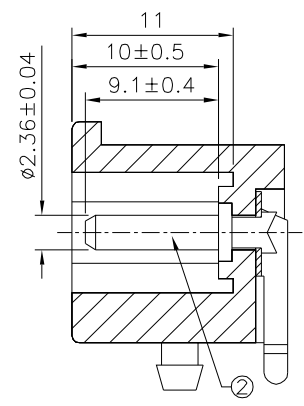
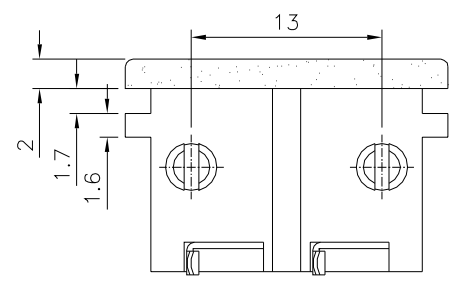
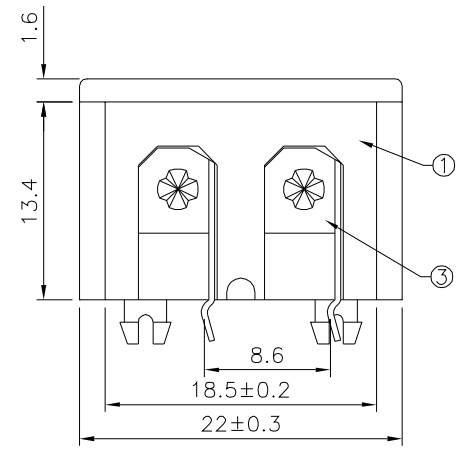
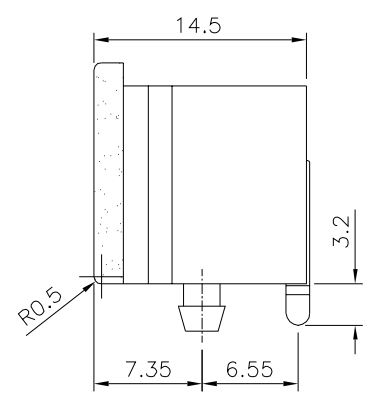
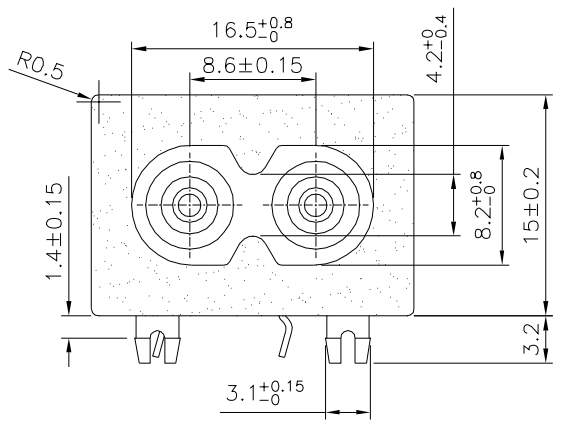


SPECIFICATION
 Rating: 2.5A 250V AC
 Approvals: UL/CSA/VDE/NEMKO/CCC/KTL
 RoHS Compliant



Recommended P.C.B. Layout



No.	Name	Material	Remark	Q'ty
①	Body Insulator	PC		1
②	Contact Pin	Brass	Nickel Plated	2
③	Soldering Pin	Brass	Tin Plated	2

4UCON 元化興業股份有限公司
 4UCON TECHNOLOGY INC.

DRAWING No.		APPROVED BY		UNLESS OTHERWISE SPECIFIED TOLERANCES ARE X. ± 0.3 .X ± 0.2 .XX ± 0.1 ANG. $\pm 1^\circ$
21578		MEI		
		CHECKED BY	HZF	
		DRAWING BY	CYP	
SCALE	NONE	REV.	A0	UNIT mm

△ A0	NEW RELEASE	HZF	04/25/2018
NO. REV.	REVISIONS	CHK	DATE