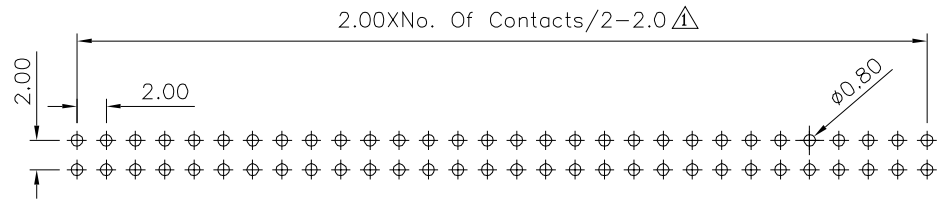
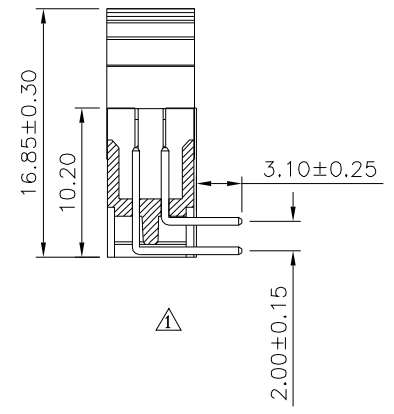
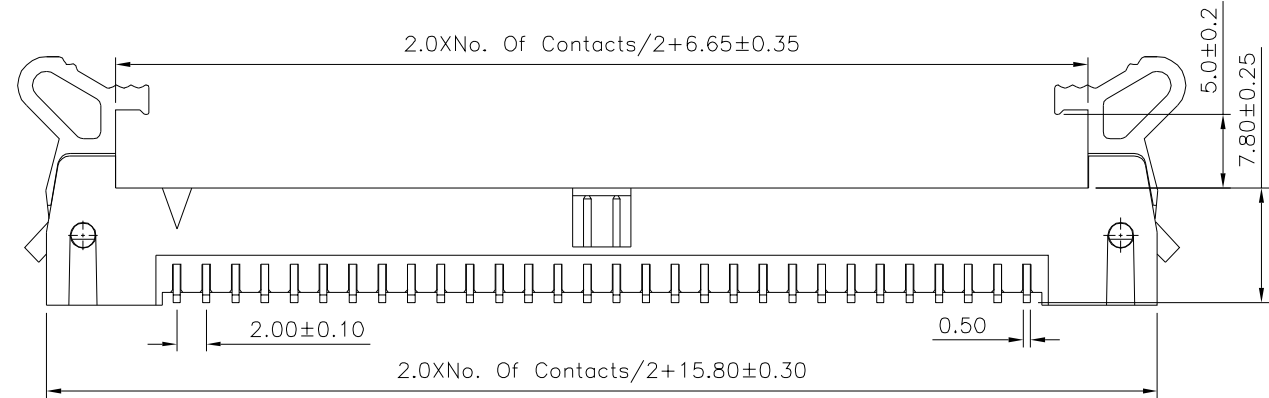
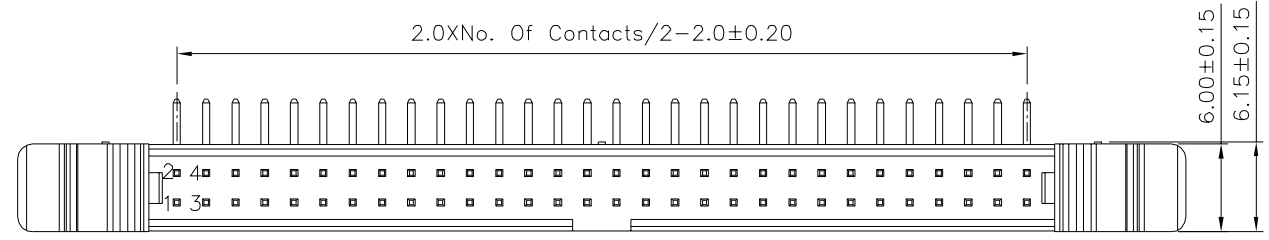


**SPECIFICATION**

Current Rating:1.5 Amps  
 Withstanding Voltage:500V Min. AC/Minute  
 Contact Resistance:20 Milliohms Max.  
 Insulation Resistance:1000 Megaohms Min.  
 Operation Temperature:-40°C~+105°C  
 Insulator:PA6T+30%G.F.(UL94V-0),Black  
 Contact:Brass,Gold Plated Over Nickel  
 RoHS Compliant



Recommended P.C.B. Layout (Top View)  
 (PCB Board Tolerance±0.05)



**4UCON** 元化興業股份有限公司  
 4UCON TECHNOLOGY INC.

DRAWING No.		APPROVED BY		UNLESS OTHERWISE SPECIFIED TOLERANCES ARE X. ±0.25 X.* ±2* .X ±0.20 .X* ±1.5* .XX ±0.15 .XX* ±1* .XXX ±0.10 .XXX* ±0.5*
00589		MEI		
		CHECKED BY HZF		
DRAWING BY CYP		REV. A2		UNIT mm
SCALE	NONE	REV.	A2	

NO.	REV.	REVISIONS	CHK	DATE
△A2		Modify Data	HZF	04/10/2019
△A1		Modify Data	HZF	05/14/2016
△A0		NEW RELEASE	HZF	06/02/2013