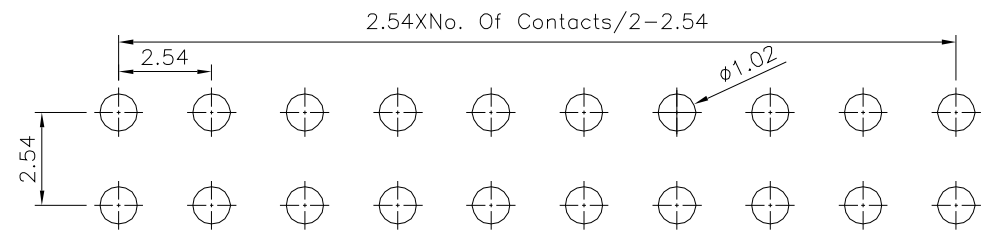
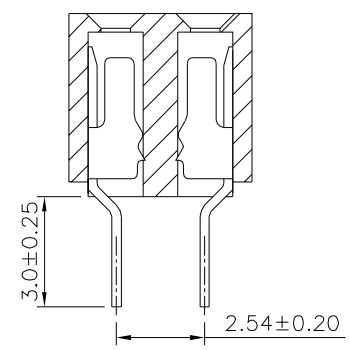
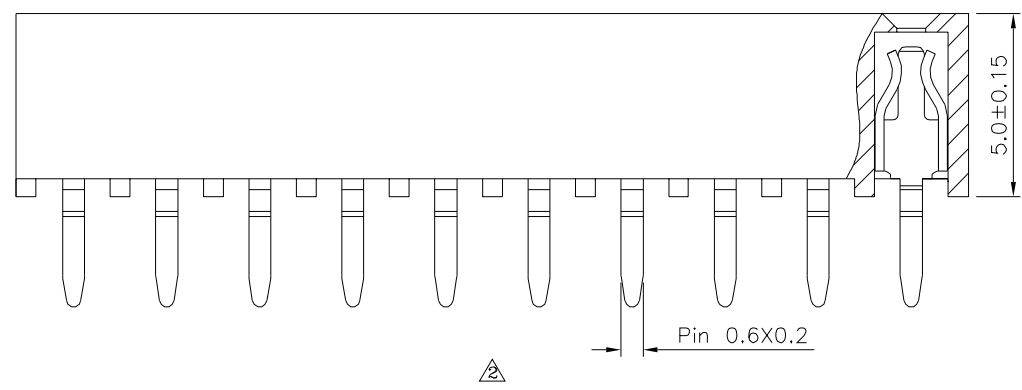
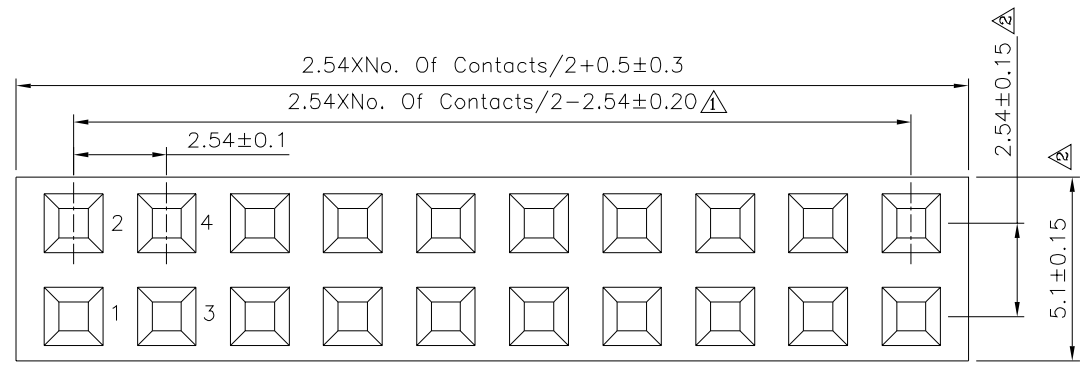


**SPECIFICATION**

- Current Rating:3 Amps
- ⚠ Withstanding Voltage:1000V AC
- Contact Resistance:20 Milliohms Max.
- Insulation Resistance:1000 Megaohms Min.
- Operation Temperature:-40°C~+105°C
- Housing:PA6T(UL94V-0),Black
- ⚠ Contact:Phosphor Bronze,Gold Flash Over Nickel
- RoHS Compliant



Recommended P.C.B. Layout(Top View)  
(PCB Board Tolerance $\pm 0.05$ )



**4UCON** 元化興業股份有限公司  
4UCON TECHNOLOGY INC.

DRAWING No.		APPROVED BY		UNLESS OTHERWISE SPECIFIED TOLERANCES ARE	
00731		MEI		X. $\pm 0.25$ X.* $\pm 2^{\circ}$	
		CHECKED BY		.X $\pm 0.20$ .X* $\pm 1.5^{\circ}$	
		DRAWING BY		.XX $\pm 0.15$ .XX* $\pm 1^{\circ}$	
SCALE		REV.		UNIT	
NONE		A2		mm	

NO.	REV.	REVISIONS	CHK	DATE
⚠ A2		Modify Data	HZF	08/13/2019
⚠ A1		Modify Data	HZF	04/21/2015
⚠ A0		NEW RELEASE	HZF	07/03/2013