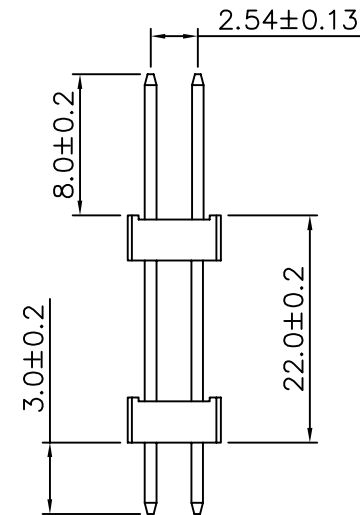
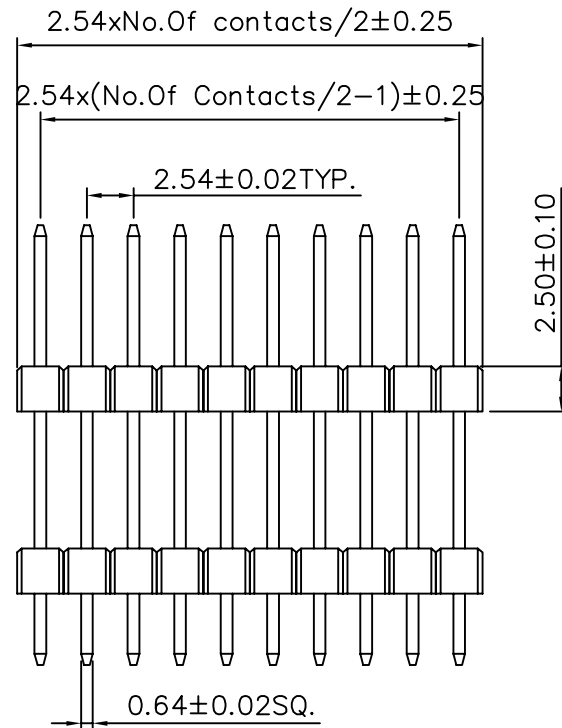
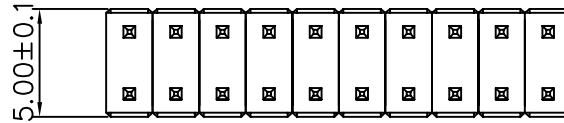
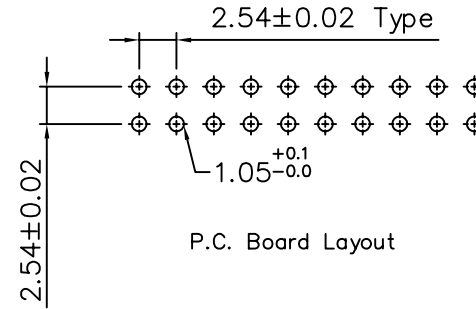


SPECIFICATION:
 Contact: Brass
 Insulator: P.B.T.
 Finish: Gold Flash
 Plated Over Nickel



4UCON 元化興業股份有限公司
 4UCON TECHNOLOGY INC.

DRAWING No.
 01155

APPROVED BY MEI
 CHECKED BY RAN
 DRAWING BY HZF

UNLESS OTHERWISE SPECIFIED
 TOLERANCES ARE
 .X ±0.38
 .XX ±0.25
 ANG.

SCALE NONE

REV. A

UNIT mm

AREA REVISIONS CHK DATE