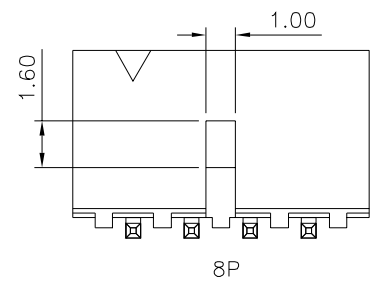
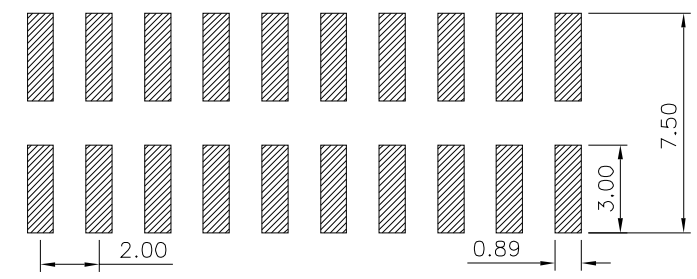
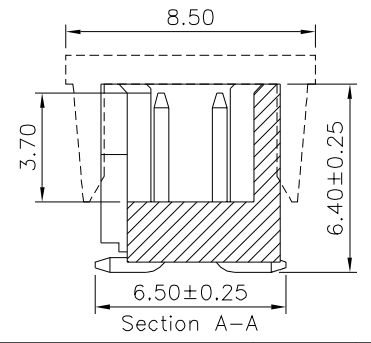
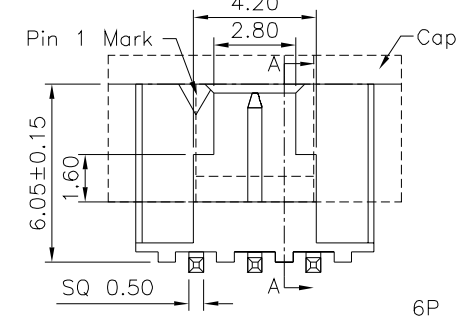
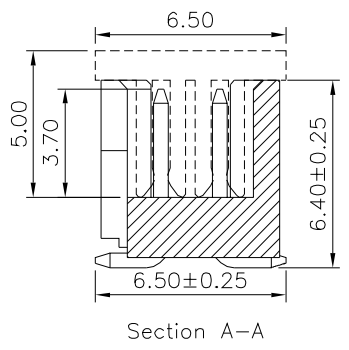
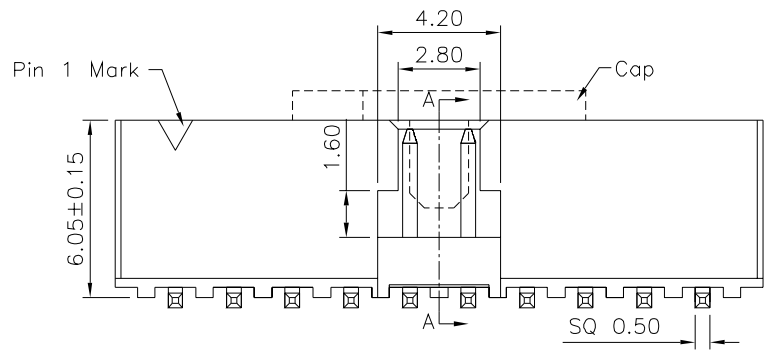
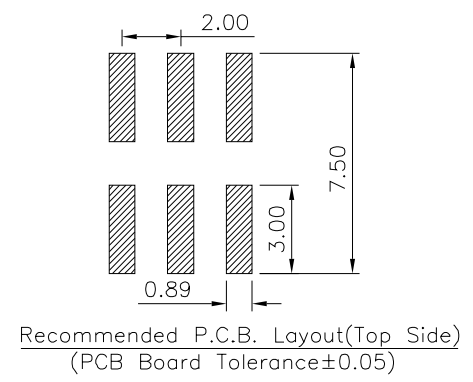
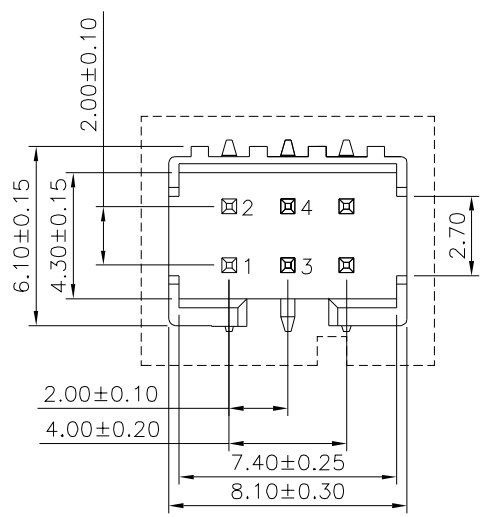
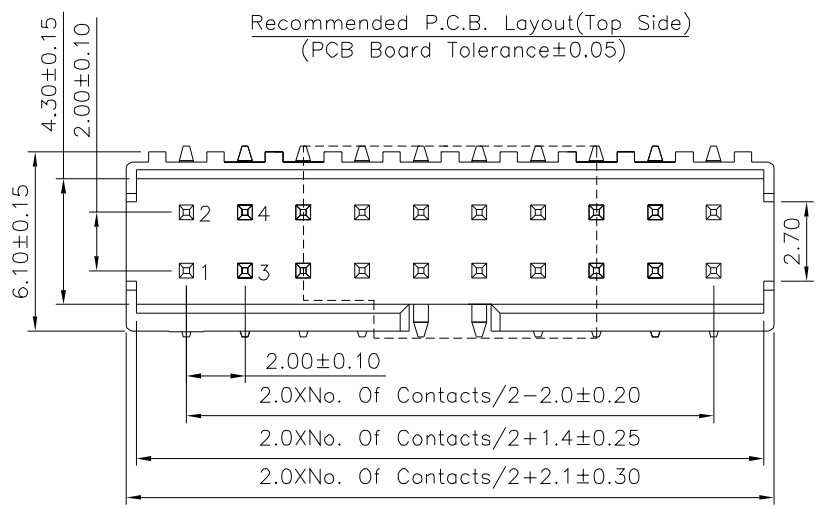


**SPECIFICATION**  
 Current Rating:2.0 Amp  
 Withstand Voltage:500V AC/DC  
 Contact Resistance:20 Milliohms Max.  
 Insulation Resistance:1000 Megaohms Min.  
 Operation Temperature:-40°C~+105°C  
 Contact:Brass,Gold Plated Over Nickel  
 Insulator:PA9T+33%G.F.(UL94V-0),Black  
 RoHS Compliant



Recommended P.C.B. Layout(Top Side)  
 (PCB Board Tolerance±0.05)



**4UCON** 元化興業股份有限公司  
 4UCON TECHNOLOGY INC.

DRAWING No.		APPROVED BY		UNLESS OTHERWISE SPECIFIED TOLERANCES ARE .X ±0.40 .XX ±0.25 .XXX ±0.15 ANG. ±3°
01809		MEI		
		CHECKED BY	HZF	
		DRAWING BY	CYP	
SCALE	NONE	REV.	A0	UNIT mm

△ A0	NEW RELEASE	HZF	08/14/2016
NO. REV.	REVISIONS	CHK	DATE