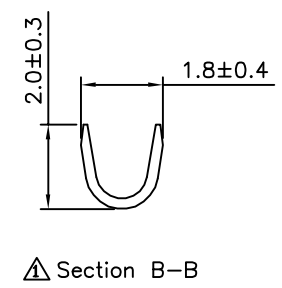
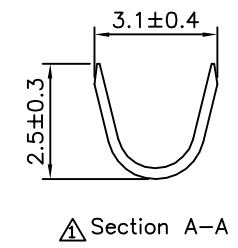
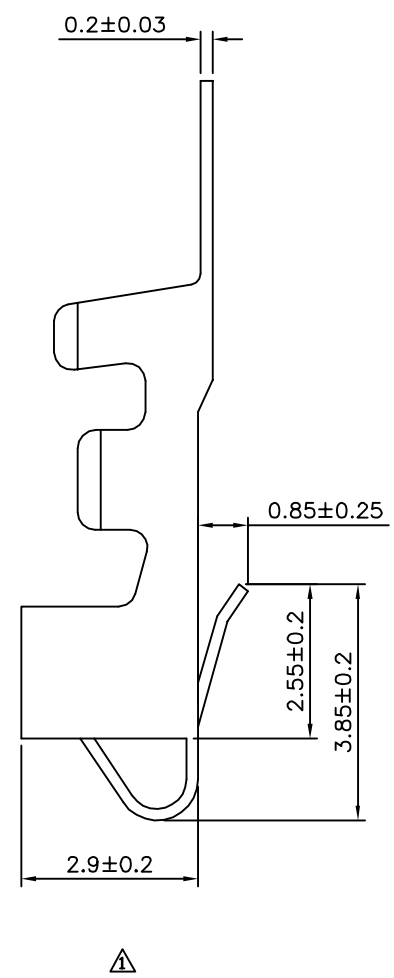
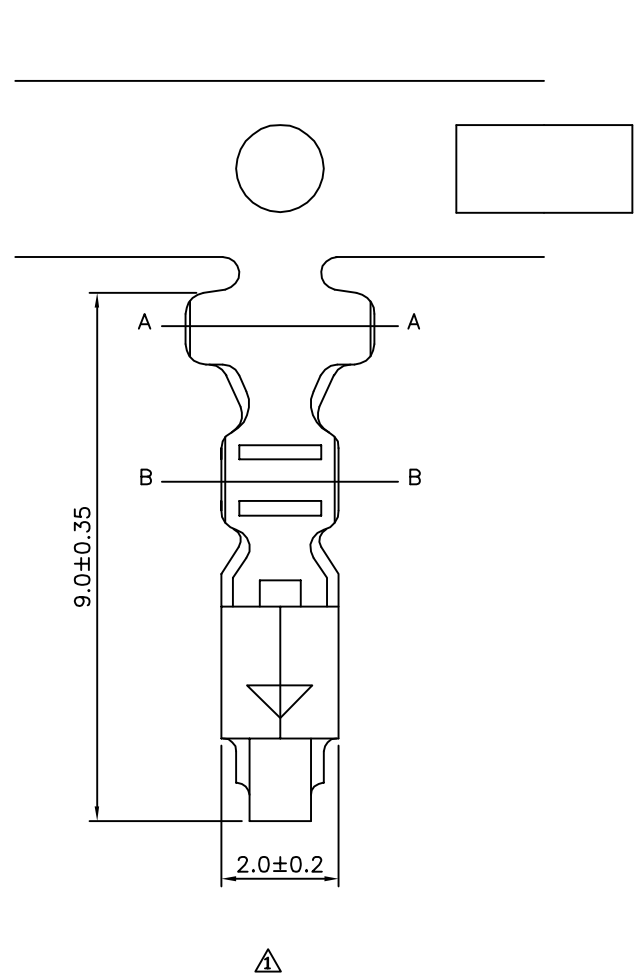


△ SPECIFICATION
 Applicable Wire:AWG #22~28
 Material:Brass SH,Tin Plated
 O.D. Of Wire Insulation:1.2~1.7
 Q'ty:7000PCS/Reel
 RoHS Compliant



4UCON 元化興業股份有限公司
 4UCON TECHNOLOGY INC.

DRAWING No.		APPROVED BY		UNLESS OTHERWISE SPECIFIED TOLERANCES ARE .X ±0.38 .XX ±0.25 ANG.
01819		EMILY		
		HZF		
		DRAWING BY		UNIT mm
		WSS		
SCALE	NONE	REV.	A1	

NO.	REV.	REVISIONS	CHK	DATE
△ A1		Modify Data	HZF	07/02/2011
△ A0		NEW RELEASE		