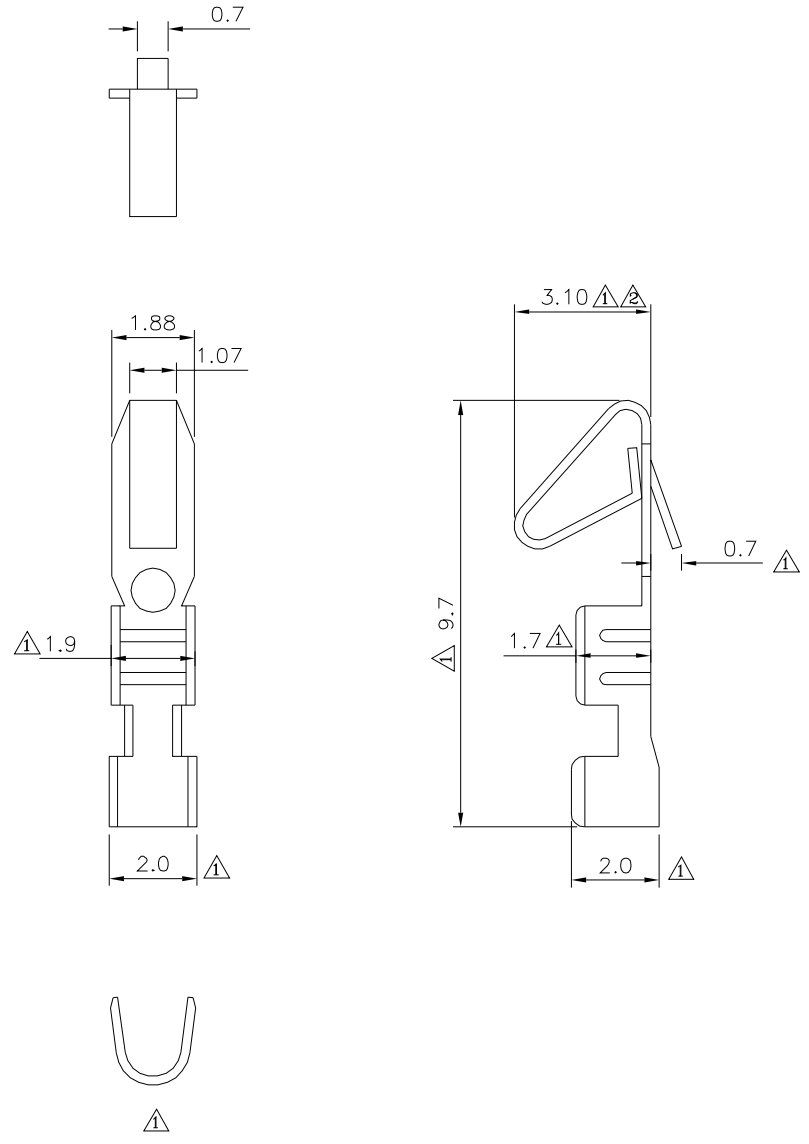


△△ SPECIFICATION
 Applicable Wire:AWG #22~30
 Material:Brass,Tin Plated
 Thickness:0.2mm
 Q'ty:10,000 PCS/Reel
 RoHS Compliant



4UCON 元化興業股份有限公司
 4UCON TECHNOLOGY INC.

DRAWING No. △△		APPROVED BY MEI		UNLESS OTHERWISE SPECIFIED TOLERANCES ARE .X ±0.38 .XX ±0.25
01993		CHECKED BY HZF		
		DRAWING BY CYP		
SCALE	NONE	REV.	A3	UNIT mm

NO.	REV.	REVISIONS	CHK	DATE
△	A3	Modify Data	HZF	02/27/2020
△	A2	Modify Data	HZF	02/03/2015
△	A1	Modify Data	HZF	03/05/2010
△	A0	NEW RELEASE	BECKY	02/14/2006