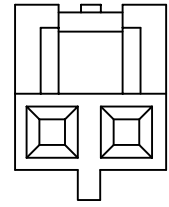
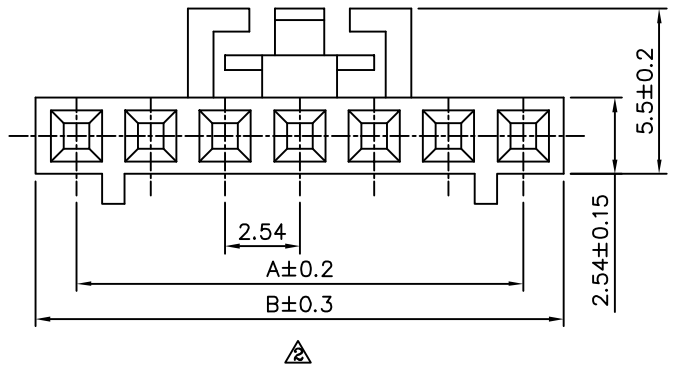
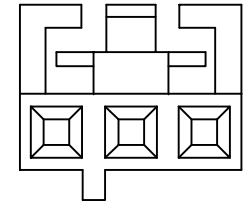


**SPECIFICATION**  
 Current Rating:2.5A AC/DC  
 Voltage Rating:250V AC/DC  
 Withstand Voltage:800V AC/Minute  
 Insulation Resistance:1000 Megaohms Min.  
 Temperature Range:-25°C~+85°C  
 Insulator:PBT(UL94V-0),Black  
 RoHS Compliant

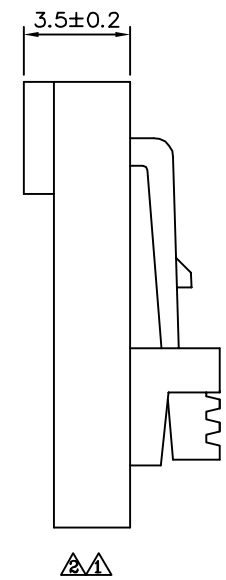
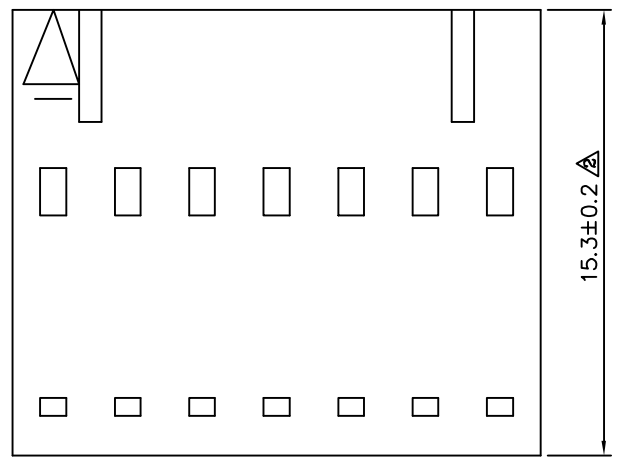
Latch And Polarization RIB Location



2 Circuit



3 Circuit



△△ Circuits	A	B
02	2.54	5.35
03	5.08	7.89
04	7.62	10.43
05	10.16	12.97
06	12.70	15.51
07	15.24	18.05
08	17.78	20.59
09	20.32	23.13
10	22.86	25.67
11	25.40	28.21
12	27.94	30.75
13	30.48	33.29
14	33.02	35.83
15	35.54	38.37
16	38.10	40.91
17	40.64	43.45
18	43.18	45.99

**4UCON** 元化興業股份有限公司  
 4UCON TECHNOLOGY INC.

DRAWING No.		APPROVED BY		UNLESS OTHERWISE SPECIFIED TOLERANCES ARE △ X ±0.5 △ X ±0.25 △ XX ±0.2 △ XXX ±0.08
01995		MEI		
		CHECKED BY		
		HZF		
		DRAWING BY		
		CYP		
SCALE	NONE	REV.	B2	UNIT
				mm

△ B2	Modify Data	HZF	09/23/2016
△ B1	Modify Data	HZF	03/03/2010
△ B0	NEW RELEASE	BECKY	06/07/2006
NO. REV.	REVISIONS	CHK	DATE