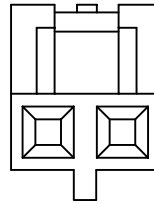
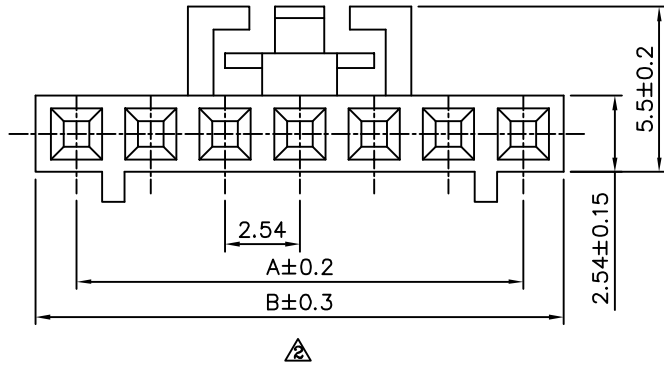


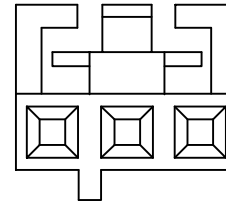
SPECIFICATION

Current Rating:2.5A AC/DC
 Voltage Rating:250V AC/DC
 Withstand Voltage:800V AC/Minute
 Insulation Resistance:1000 Megaohms Min.
 Temperature Range:-25°C~+85°C
 Insulator:PBT(UL94V-0),Black
 RoHS Compliant

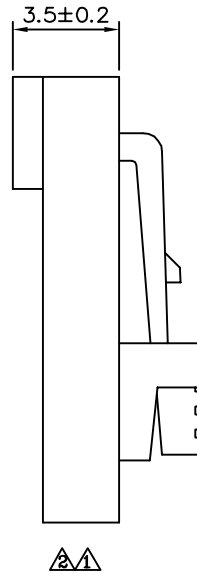
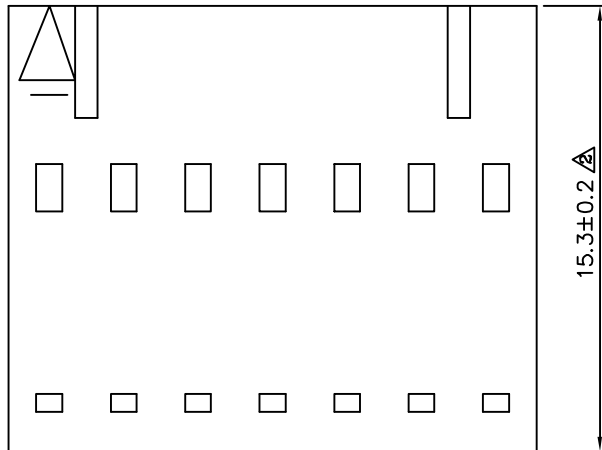
Latch And Polarization RIB Location



2 Circuit



3 Circuit



Circuits	A	B
02	2.54	5.35
03	5.08	7.89
04	7.62	10.43
05	10.16	12.97
06	12.70	15.51
07	15.24	18.05
08	17.78	20.59
09	20.32	23.13
10	22.86	25.67
11	25.40	28.21
12	27.94	30.75
13	30.48	33.29
14	33.02	35.83
15	35.54	38.37
16	38.10	40.91
17	40.64	43.45
18	43.18	45.99

4UCON 元化興業股份有限公司
 4UCON TECHNOLOGY INC.

DRAWING No.
 02001

APPROVED BY MEI
 CHECKED BY HZF
 DRAWING BY CYP

UNLESS OTHERWISE SPECIFIED TOLERANCES ARE
 $\triangle X \pm 0.5$
 $\triangle X \pm 0.25$
 $\triangle XX \pm 0.2$
 $\triangle XXX \pm 0.08$

SCALE NONE

REV. B2

UNIT mm

NO.	REV.	REVISIONS	CHK	DATE
B2		Modify Data	HZF	09/23/2016
B1		Modify Data	HZF	03/03/2010
B0		NEW RELEASE	BECKY	06/07/2006