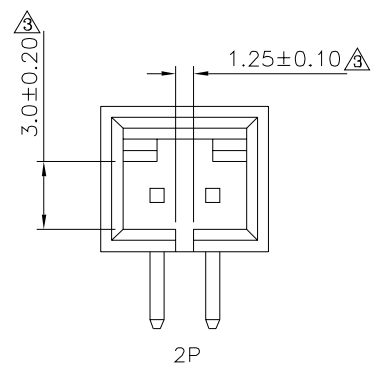
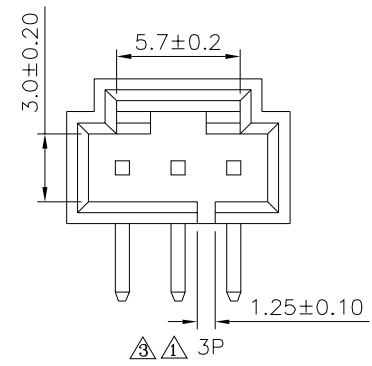


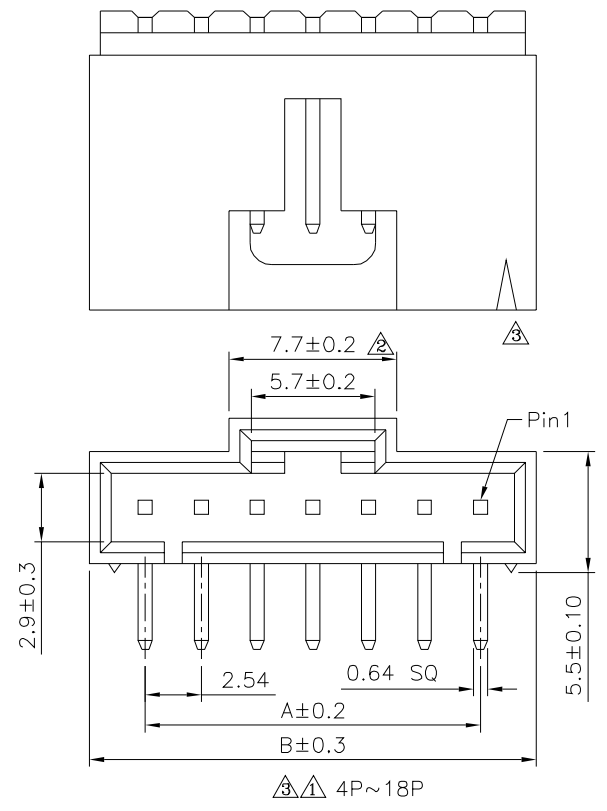
Recommended P.C.B. Layout
Thickness=1.6mm



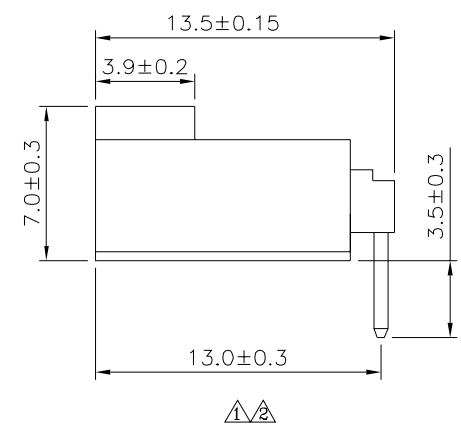
2P



3P



4P~18P



13P

SPECIFICATION
 Current Rating:2.5A AC/DC
 Voltage Rating:250V AC/DC
 Insulation Resistance:1000 Megaohms Min.
 Withstand Voltage:600V AC/Minute
 Temperature Range:-25°C~+85°C
 Insulator:PBT(UL94V-0),Black
 ⚠ Contact:Brass,Gold Flash Over All,Over Nickel
 RoHS Compliant

Pin	A	B	Pin	A	B
02	2.54	7.62	11	25.40	30.48
03	5.08	10.16	12	27.94	33.02
04	7.62	12.70	13	30.48	35.56
05	10.16	15.24	14	33.02	38.10
06	12.70	17.78	15	35.56	40.64
07	15.24	20.32	16	38.10	43.18
08	17.78	22.86	17	40.64	45.72
09	20.32	25.40	18	43.18	48.26
10	22.86	27.94			

4UCON 元化興業股份有限公司
4UCON TECHNOLOGY INC.

DRAWING No. 02022

APPROVED BY EMILY
 CHECKED BY HZF
 DRAWING BY HAO
 REV. B3

UNLESS OTHERWISE SPECIFIED TOLERANCES ARE
 X. ±0.5
 .X ±0.25
 .XX ±0.2
 .XXX ±0.08
 UNIT mm

NO.	REV.	REVISIONS	CHK	DATE
⚠	B3	Modify Data	HZF	12/31/2020
⚠	B2	Modify Data	HZF	02/06/2015
⚠	B1	Modify Data	HZF	11/01/2011
⚠	B0	NEW RELEASE	HZF	11/10/2009