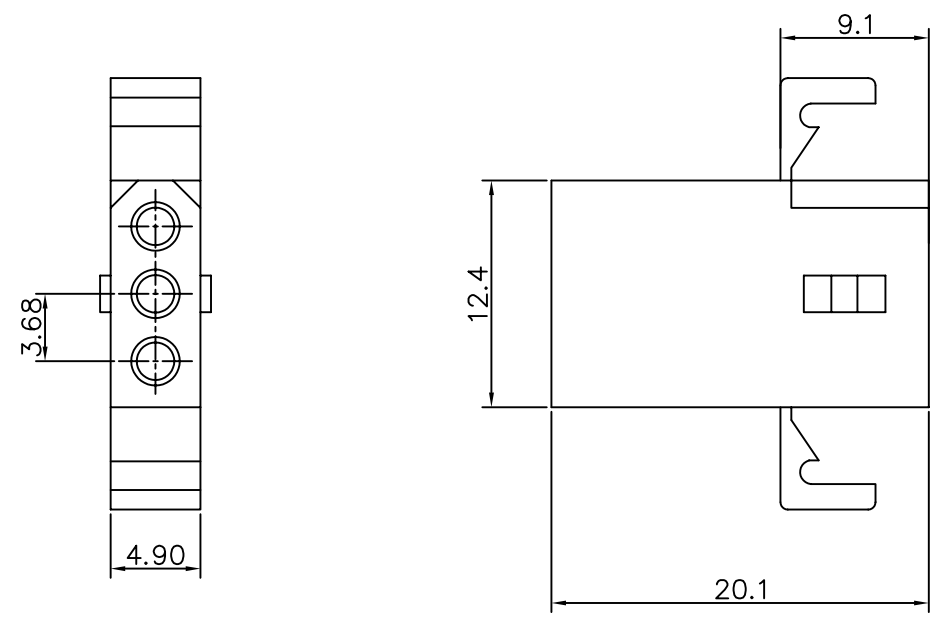


Packing: 500PCS/Bag



**4UCON** 元化興業股份有限公司  
4UCON TECHNOLOGY INC.

DRAWING No.  
02115

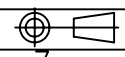
APPROVED BY MEI  
CHECKED BY BECKY  
DRAWING BY HZF

UNLESS OTHERWISE SPECIFIED  
TOLERANCES ARE  
.X ±0.38  
.XX ±0.25  
AWG.  
UNIT mm

NO.	REV.	REVISIONS	CHK	DATE
0	A0	NEW RELEASE	MEI	

SCALE NONE

REV. A0



NO.

REV.

REVISIONS

CHK

DATE