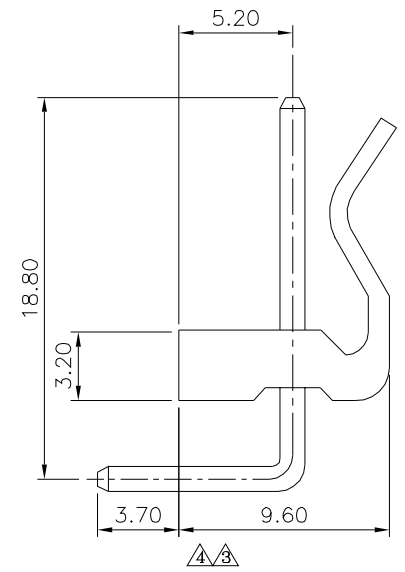
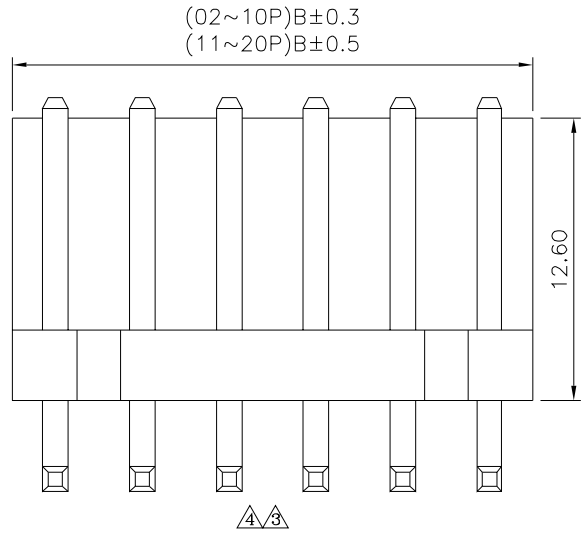
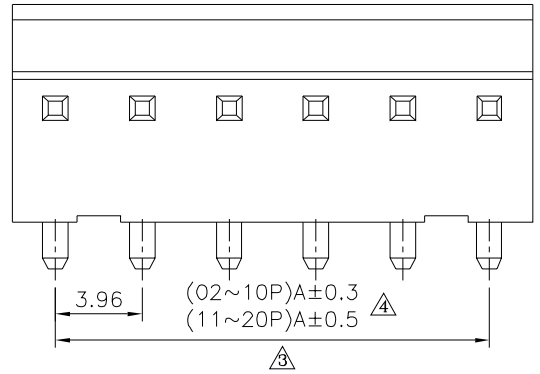


△ Recommended P.C.B. Layout



- △ SPECIFICATION
- △ Current Rating: 7A AC/DC
 - △ Voltage Rating: 250V AC, DC
 - △ Dielectric Withstanding Voltage: 1500V AC/Minute
 - △ Contact Resistance: 10 Milliohms Max.
 - △ Insulation Resistance: 1000 Megaohms Min.
 - △ Operation Temperature: -25°C ~ +85°C
 - △ Insulator: PA66(UL94V-2)
 - △ Terminal: Brass, Tin Plated
 - △ RoHS Compliant

△ Poles	A	B
2	3.96	7.92
3	7.92	11.88
4	11.88	15.84
5	15.84	19.80
6	19.80	23.76
7	23.76	27.72
8	27.72	31.68
9	31.68	35.64
△ 10	35.64	39.60
11	39.60	43.56
12	43.56	47.52
13	47.52	51.48
14	51.48	55.44
15	55.44	59.40
16	59.40	63.36
17	63.36	67.32
18	67.32	71.28
20	75.24	79.20

4UCON 元化興業股份有限公司
4UCON TECHNOLOGY INC.

DRAWING No.		APPROVED BY		UNLESS OTHERWISE SPECIFIED TOLERANCES ARE △ .X ± 0.5 .XX ± 0.35
02180		MEI		
		CHECKED BY	HZF	
		DRAWING BY	CYP	
SCALE	NONE	REV.	A4	UNIT mm

△ A4	Modify Data	HZF	11/07/2017
△ A3	Modify Data	HZF	02/25/2010
△ A2	Modify Data	BECKY	06/02/2005
△ A1	Modify Data	BECKY	01/05/2005
△ A0	NEW RELEASE	RAN	04/11/2001
NO. REV.	REVISIONS	CHK	DATE