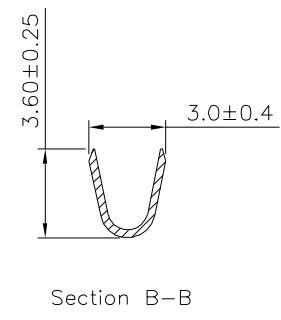
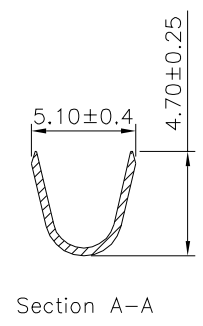
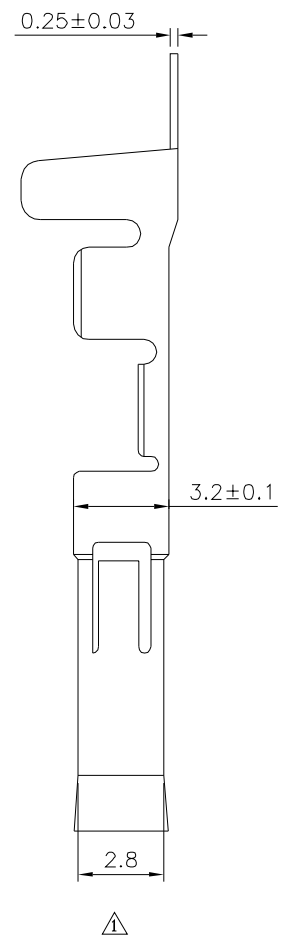
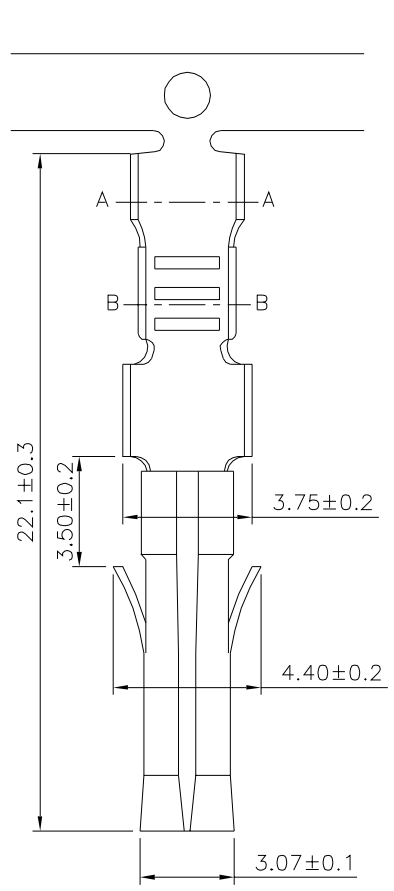


SPECIFICATION
 Applicable Wire:AWG #14~20
 Contact:Brass SH,Tin Plated
 Q'ty:4000 PCS/Reel
 RoHS Compliant



4UCON 元化興業股份有限公司
 4UCON TECHNOLOGY INC.

DRAWING No.		APPROVED BY		UNLESS OTHERWISE SPECIFIED TOLERANCES ARE .X ±0.38 .XX ±0.25 ANG.
02390		MEI		
		CHECKED BY HZF		
DRAWING BY		CYP		
SCALE	NONE	REV.	A2	UNIT mm

NO.	REV.	REVISIONS	CHK	DATE
△2	A2	Modify Data	HZF	07/23/2016
△1	A1	Modify Data	HZF	09/26/2013
△0	A0	NEW RELEASE	HZF	03/07/2011