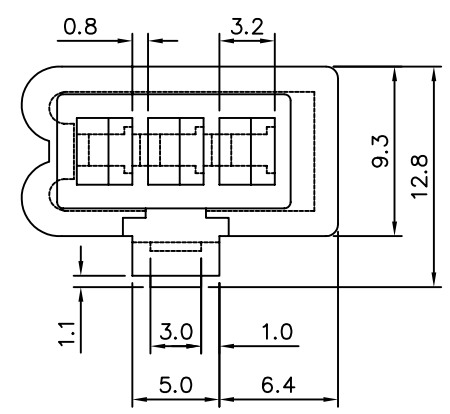
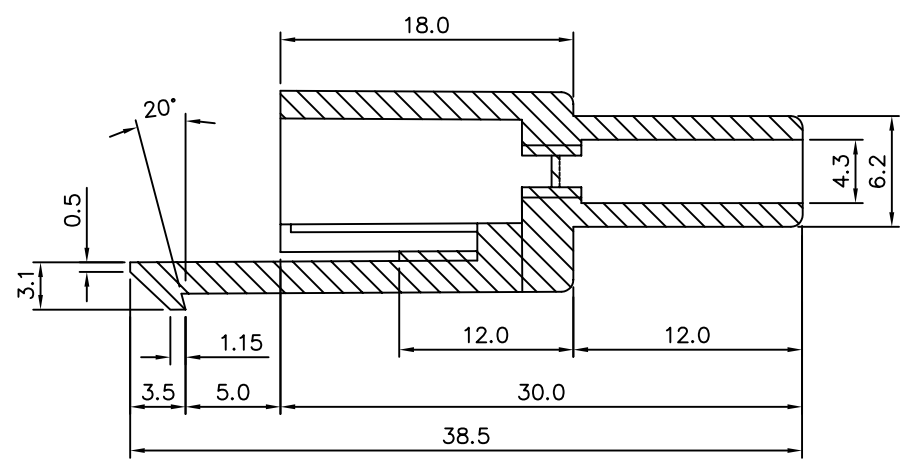
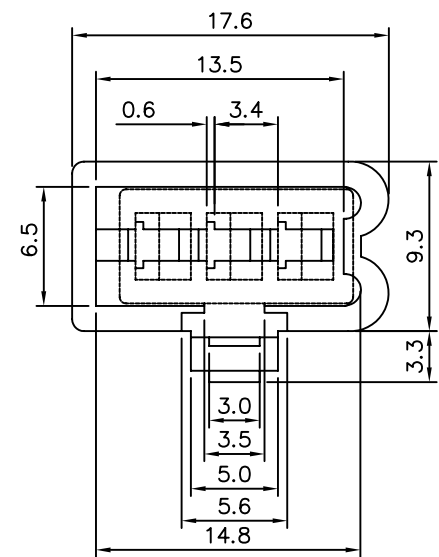


Material: Nylon 66



4UCON 元化興業股份有限公司
4UCON TECHNOLOGY INC.

DRAWING No.
02505

APPROVED BY MEI
CHECKED BY BECKY
DRAWING BY HZF

UNLESS OTHERWISE SPECIFIED
TOLERANCES ARE
.X ±0.38
.XX ±0.25
AWG.

SCALE NONE

REV. A1

UNIT mm

NO.	REV.	REVISIONS	CHK	DATE
△	A1	Modify Data	BECKY	06/04/2005
△	A	NEW RELEASE	RAN	04/10/2001