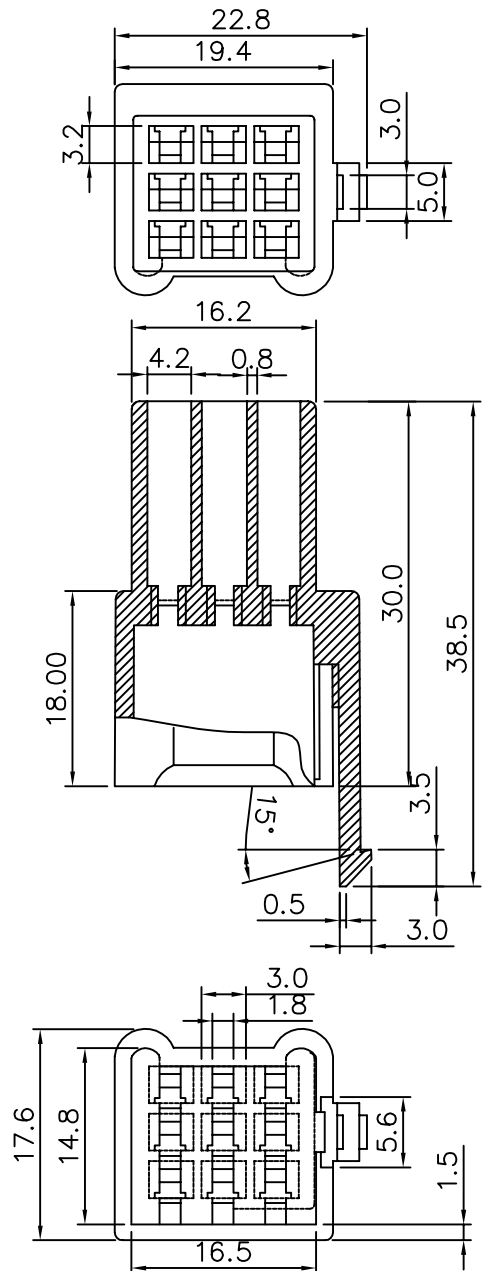


Material: Nylon 66



**4UCON** 元化興業股份有限公司  
4UCON TECHNOLOGY INC.

DRAWING No.		APPROVED BY		UNLESS OTHERWISE SPECIFIED TOLERANCES ARE .X ±0.38 .XX ±0.25 ANG.
02509		MEI		
		CHECKED BY RAN		
		DRAWING BY HZF		
SCALE	NONE	REV.	A	UNIT mm

AREA	REVISIONS	CHK	DATE