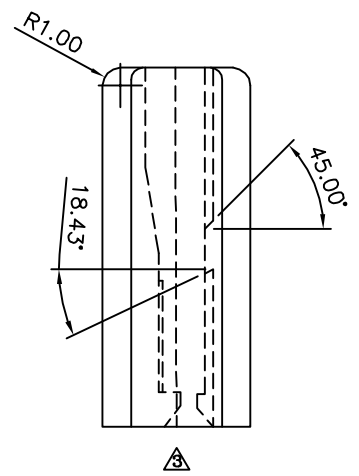
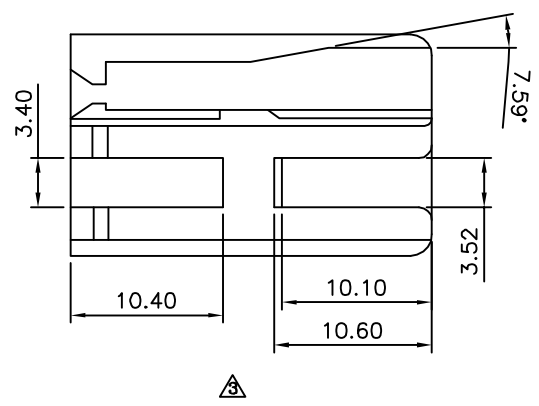
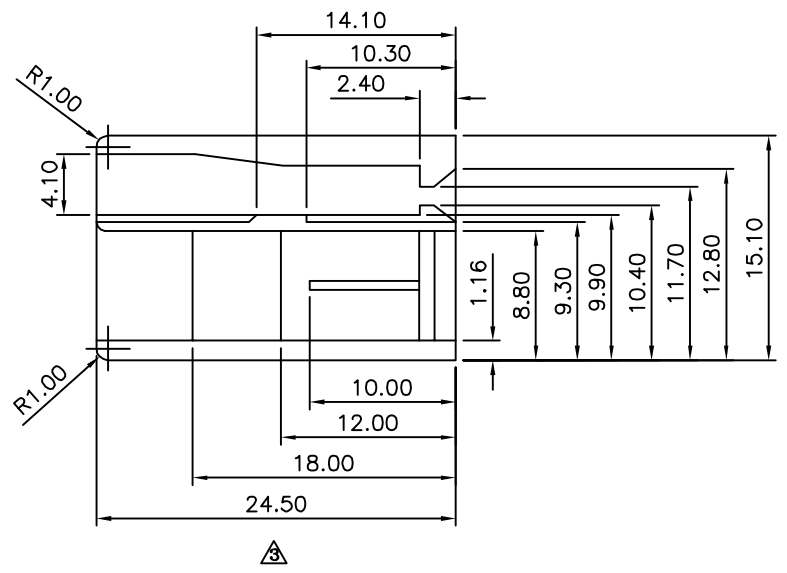
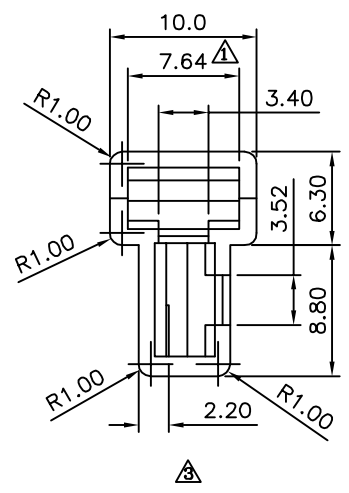


SPECIFICATION
 Material:P.P
 RoHS Compliant



4UCON 元化興業股份有限公司
 4UCON TECHNOLOGY INC.

DRAWING No.		APPROVED BY		UNLESS OTHERWISE SPECIFIED TOLERANCES ARE						
02515		MEI			0.1~5.0	±0.10	△ A3	Modify Data	HZF	10/24/2012
		CHECKED BY			5.01~10.0	±0.20	△ A2	Modify Data	BECKY	2004/11/06
		DRAWING BY			10.01~20.0	±0.30	△ A1	Modify Dim.:7.54 → 7.64	BECKY	2004/09/08
		SONG		20.01~30.0	±0.35	△ A0	NEW RELEASE			
SCALE	NONE	REV.	A3	UNIT	mm	NO.REV.	REVISIONS	CHK	DATE	