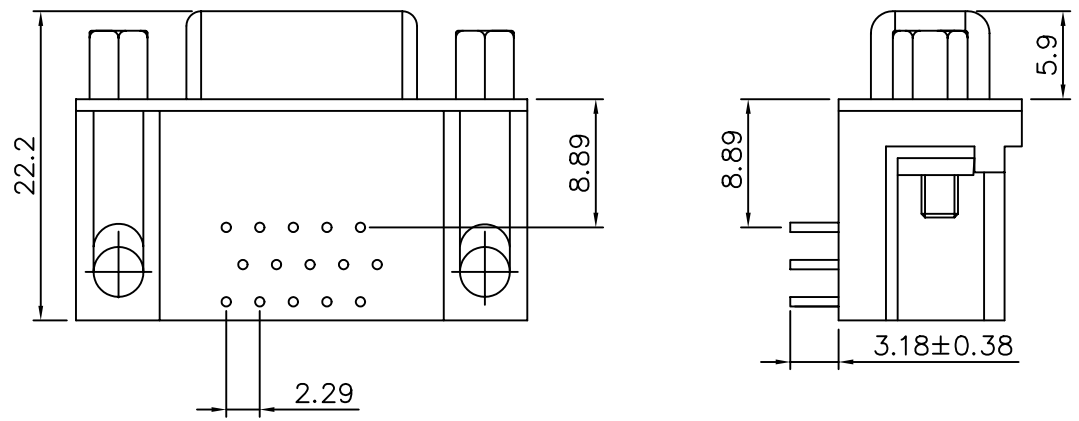
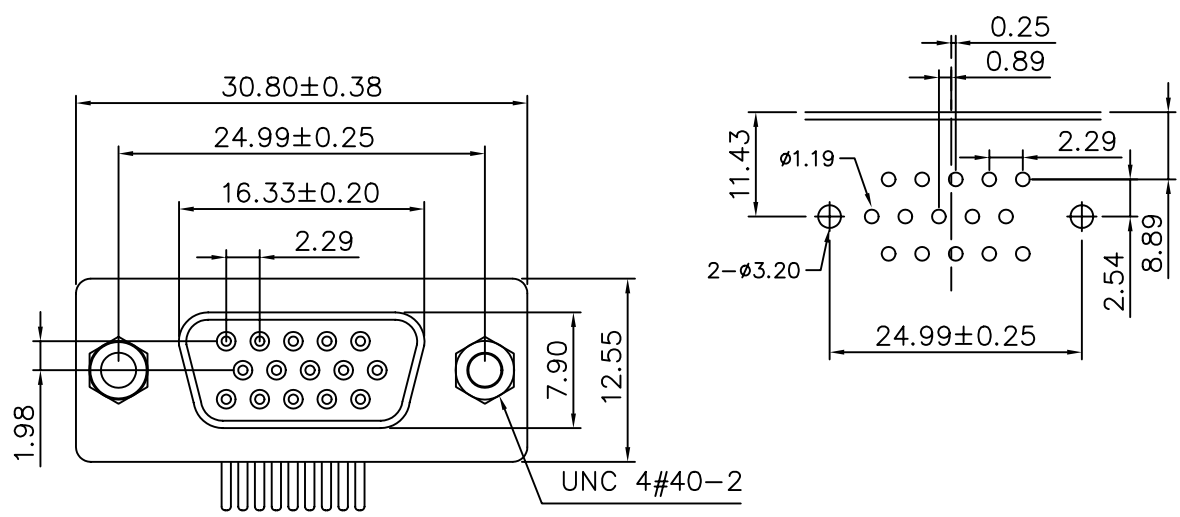


**SPECIFICATIONS**

Current Rating : 2 AMP  
 Dielectric Withstanding Voltage : 1000V  
 PER Minute  
 Insulator Resistance : 1000Megohms Min.  
 At 500V DC  
 Contact Resistance : 15Millionms Max. 10 SEC.  
 Operating Resistance : -55°C To +105°C  
 Insulator : PBT+30% Glass Filled (UL 94V-0),Black  
 Contact Material : Brass, Tin Plated  
 Shell :Steel Nickel Plated



**4UCON** 元化興業股份有限公司  
 4UCON TECHNOLOGY INC.

DRAWING No.		APPROVED BY		UNLESS OTHERWISE SPECIFIED TOLERANCES ARE
02618		MEI		
		RAN		
		DRAWING BY		.X ±0.25
		HZF		.XX ±0.15
				.XXX ±0.05
SCALE	NONE	REV.	A	UNIT
				mm

AREA	REVISIONS	CHK	DATE