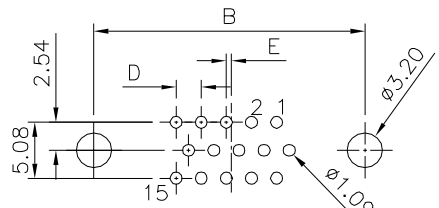
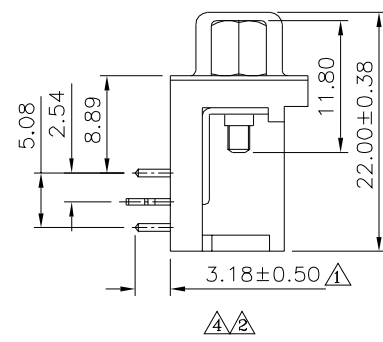
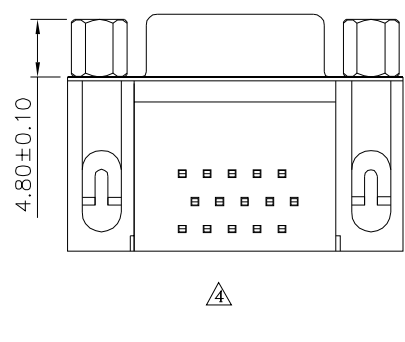
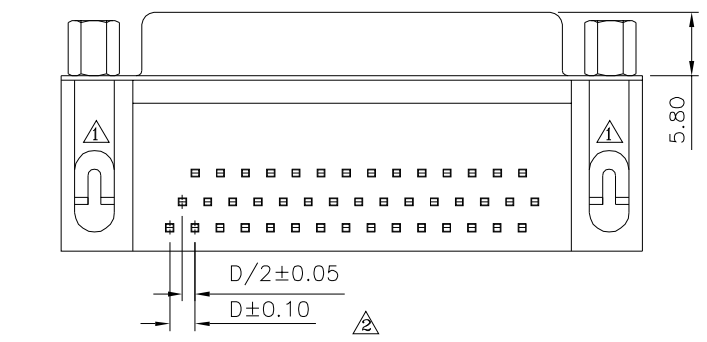
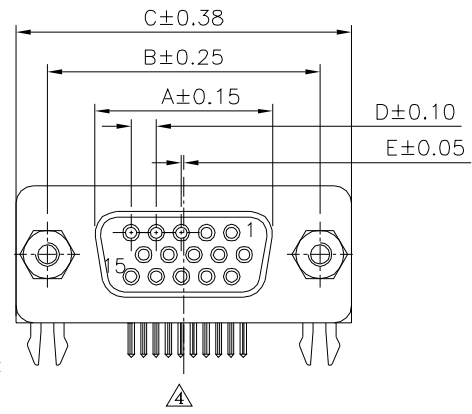
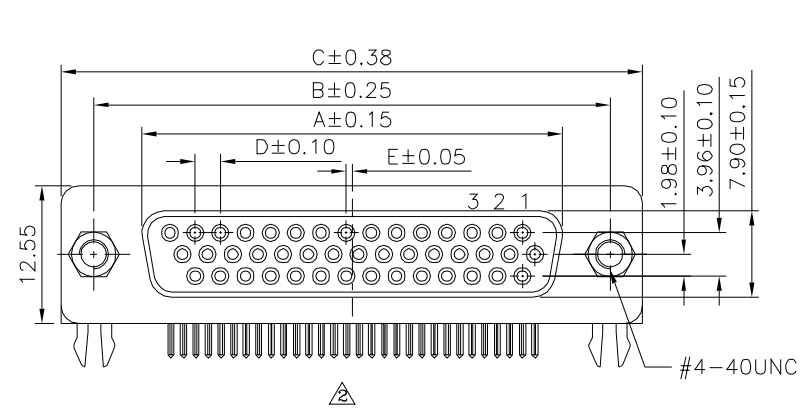


26,44,62 Pin
Recommended P.C.B. Layout



15 Pin
Recommended P.C.B. Layout

SPECIFICATION
 Current Rating: 1 Amps
 Withstanding Voltage: 500V For 1 Minute
 Contact Resistance: 30 Milliohms Max.
 Insulation Resistance: 1000 Megaohms Min. At 500V DC
 Operating Temperature: -40°C ~ +85°C
 Insulator: PBT+30%G.F.(UL94V-0), Black
 Contact: Brass, Gold Flash On Contact Area, Tin Plated On Solder Tails, Over Nickel
 Shell: SPCC, Nickel Plated
 Boardlock: SPCC, Tin Plated
 Screw: 12L14, Nickel Plated
 RoHS Compliant



| Pin | A | B | C | D | E |
|-----|-------|-------|-------|------|------|
| 15 | 16.33 | 24.99 | 30.81 | 2.29 | 0.25 |
| 26 | 24.80 | 33.32 | 39.20 | 2.29 | 0.50 |
| 44 | 38.38 | 47.04 | 53.04 | 2.29 | 0.50 |
| 62 | 54.84 | 63.50 | 69.40 | 2.41 | 0.60 |

4UCON 元化興業股份有限公司
 4UCON TECHNOLOGY INC.

| | | | | | | | | |
|----------------------|----|-------------|----------|------------------------------------------------------------------------------------------------------------------------------------------------------------------|-------------|-------------|------------|------------|
| DRAWING No. Δ | | APPROVED BY | | UNLESS OTHERWISE SPECIFIED TOLERANCES ARE .X ± 0.38 .X* $\pm 3^{\circ}$.XX ± 0.25 .XX* $\pm 1^{\circ}$.XXX ± 0.05 .XXX* $\pm 0.5^{\circ}$ | Δ B4 | Modify Data | HZF | 03/30/2019 |
| 02629 | | MEI | | | Δ B3 | Modify Data | HZF | 05/08/2018 |
| | | CHECKED BY | | | Δ B2 | Modify Data | HZF | 12/24/2015 |
| SCALE NONE | | DRAWING BY | | Δ B1 | Modify Data | HZF | 09/19/2014 | |
| | | CYP | | Δ B0 | NEW RELEASE | HZF | 04/10/2013 | |
| REV. | B4 | UNIT mm | Δ | NO. REV. | REVISIONS | CHK | DATE | |