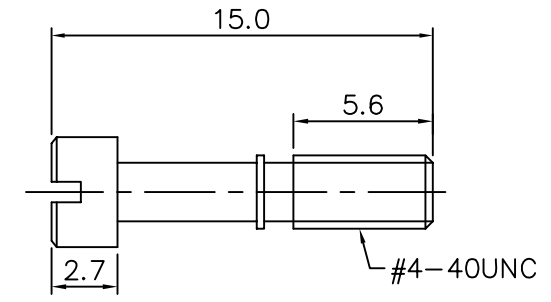
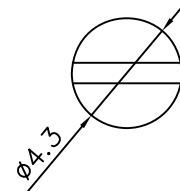
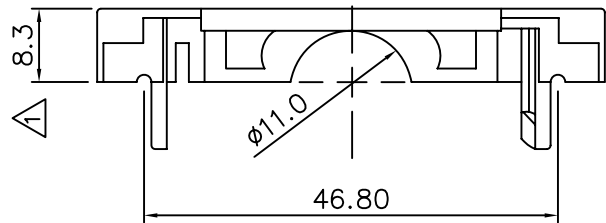
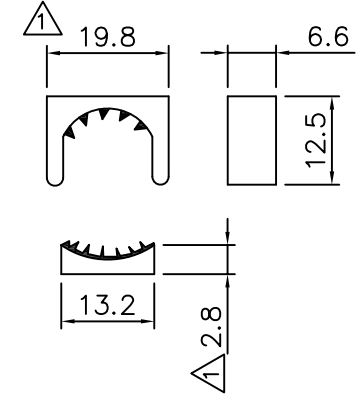
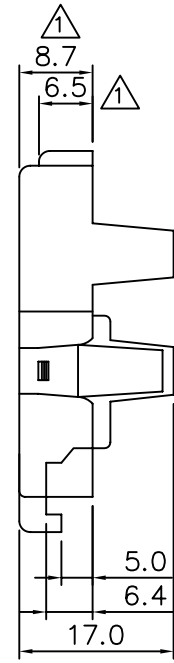
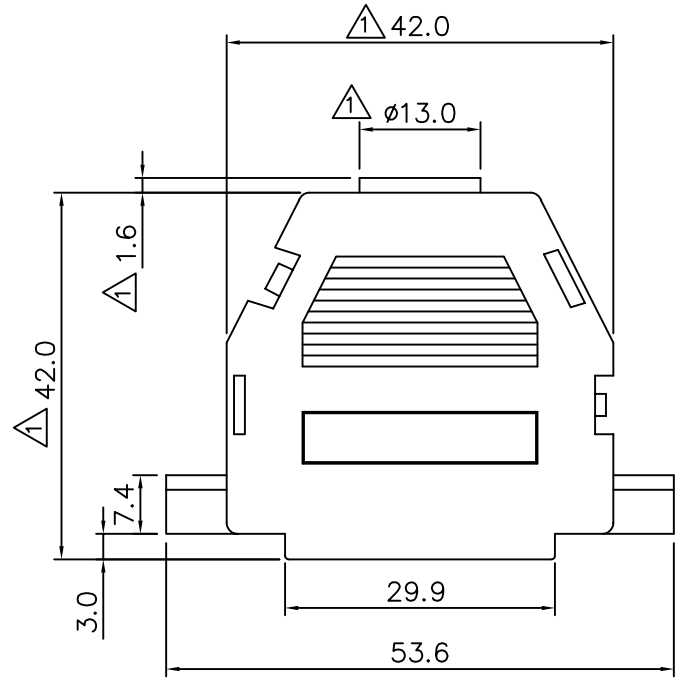


SPECIFICATIONS
 Black Color Plastic Hood
 Packing: 1 Set/Bag



4UCON 元化興業股份有限公司
 4UCON TECHNOLOGY INC.

DRAWING No. 03097
 SCALE NONE

APPROVED BY MEI
 CHECKED BY RAN
 DRAWING BY HZF
 REV. A1

UNLESS OTHERWISE SPECIFIED TOLERANCES ARE
 .X ±0.38
 .XX ±0.25
 .XXX
 UNIT mm

NO.	REV.	REVISIONS	CHK	DATE
△	A1	CHANGE DIM.	MEI	07/09/2002
△	A0	NEW RELEASE	MEI	07/09/2001