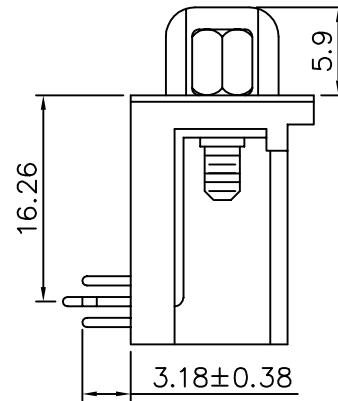
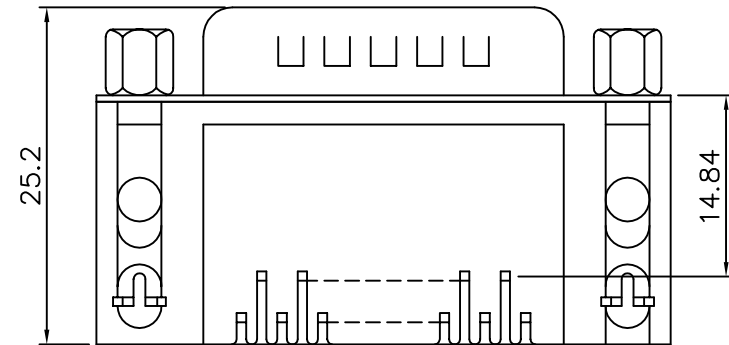
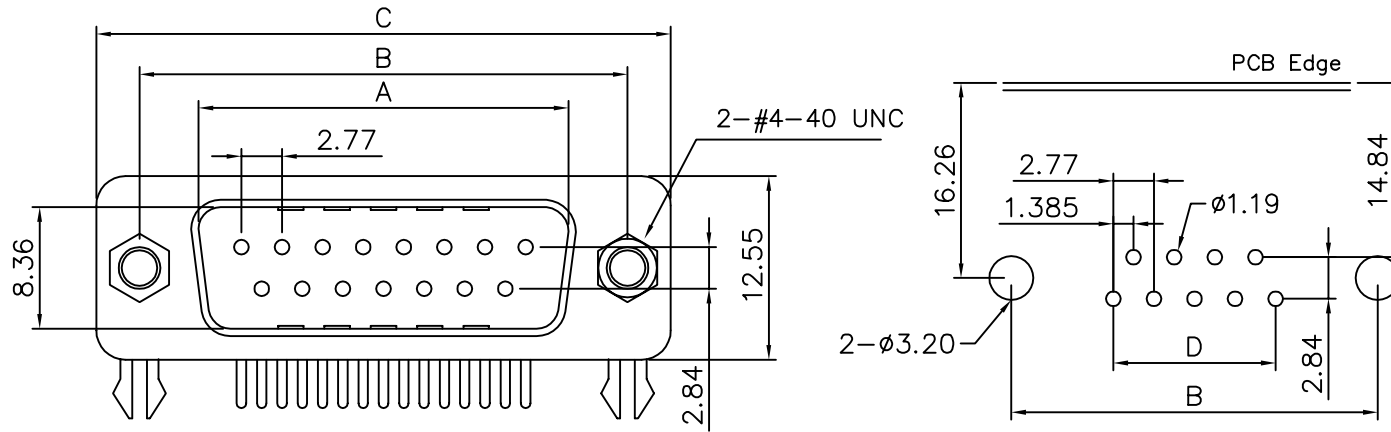


SPECIFICATIONS

Current Rating: 5A
 Dielectric Withstanding Voltage :
 AC 1000V R.M.S.
 Insulation Resistance : 1000 Megohms
 Min. At DC 500V
 Contact Resistance : 15 Milliohms Max.10 Ses.
 Operating Temperature : -55°C To +105°C
 Insulator : PBT+30% Glass Fiber
 (UL 94V-0)
 Contact : Brass , Tin Plated
 Shell : Steel , Nickel Plated



Position	A±0.20	B±0.25	C±0.38	D
9	16.92	24.99	30.80	11.08
15	25.25	33.32	39.10	19.39
25	38.96	47.04	53.00	33.24
37	55.42	63.50	69.32	49.86

4UCON 元化興業股份有限公司
 4UCON TECHNOLOGY INC.

DRAWING No.

03136

APPROVED BY

MEI

CHECKED BY

RAN

DRAWING BY

HZF

UNLESS OTHERWISE SPECIFIED

TOLERANCES ARE

.X ±0.25

.XX ±0.15

.XXX ±0.05

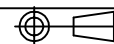
SCALE

NONE

REV.

A

UNIT
mm



AREA

REVISIONS

CHK

DATE