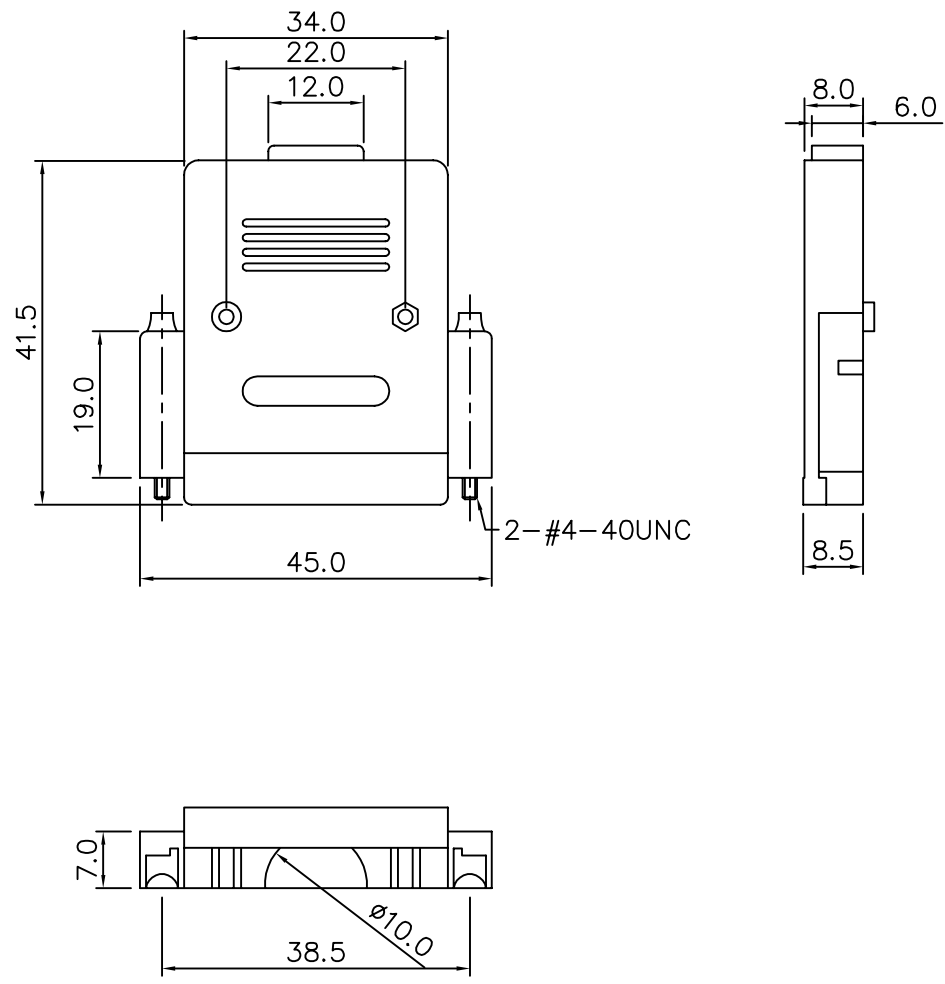


SPECIFICATIONS
 Insulator: ABS, UL 94HB
 Screw: Brass, Nickel Plated



4UCON 元化興業股份有限公司
 4UCON TECHNOLOGY INC.

DRAWING No.		APPROVED BY		UNLESS OTHERWISE SPECIFIED TOLERANCES ARE
03180		MEI		
		RAN		
		DRAWING BY		.X ±0.38
		HZF		.XX ±0.20
				.XXX
SCALE	NONE	REV.	A	UNIT
				mm

AREA	REVISIONS	CHK	DATE