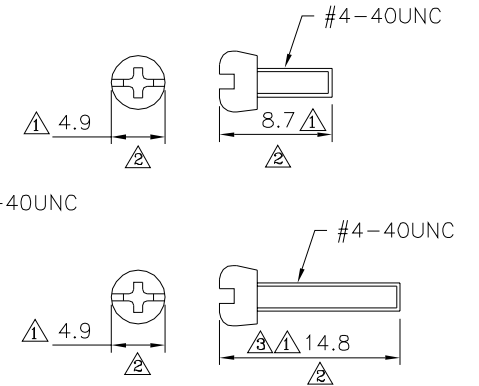
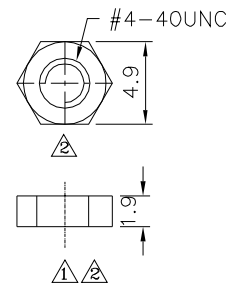
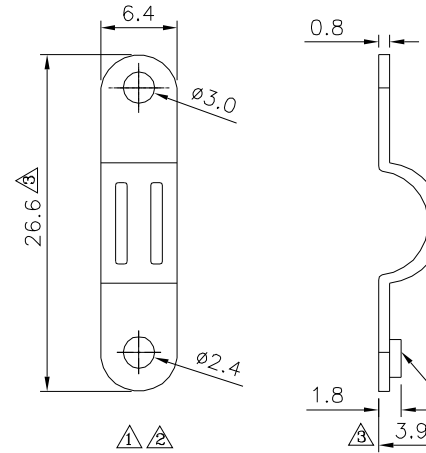
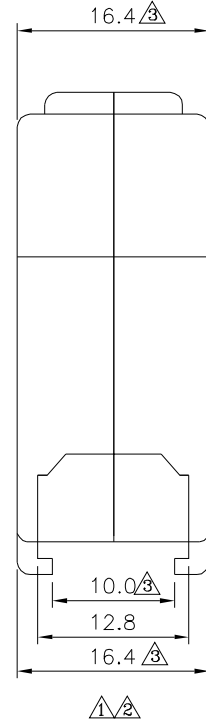
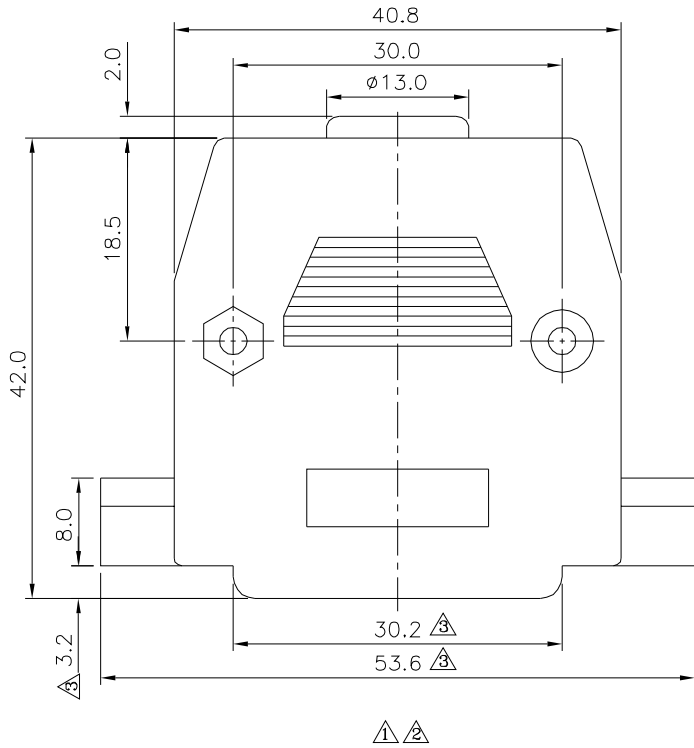
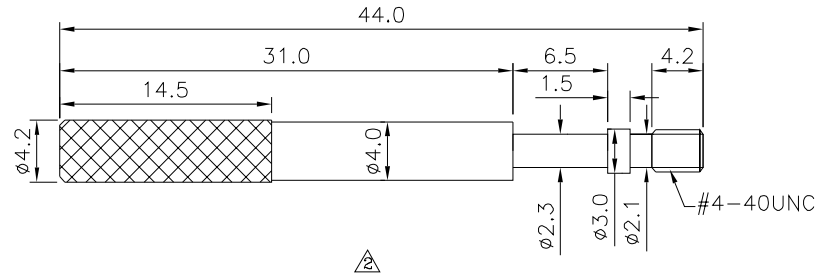
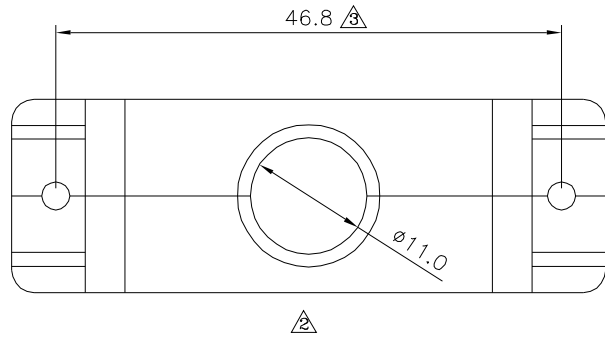


SPECIFICATION
 Insulator:ABS(UL94HB),Chromate Plated
 Screw,Nut&SR:Steel,Nickel Plated
 Packing:One Bag/Set
 RoHS Compliant



4UCON 元化興業股份有限公司
 4UCON TECHNOLOGY INC.

DRAWING No. 03181

APPROVED BY MEI
 CHECKED BY HZF
 DRAWING BY HAO

UNLESS OTHERWISE SPECIFIED TOLERANCES ARE
 X. ± 0.3
 .X ± 0.3
 .XX ± 0.2
 ANG. $\pm 5^\circ$

SCALE NONE

REV. A3

NO.	REV.	REVISIONS	CHK	DATE
A3		Modify Data	HZF	07/25/2018
A2		Modify Data	HZF	09/25/2014
A1		Modify Data	HZF	01/12/2010
A0		NEW RELEASE	HZF	05/07/2008