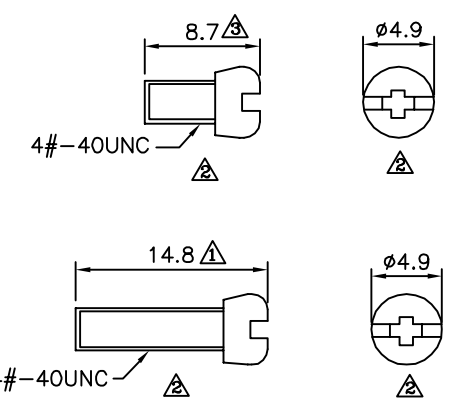
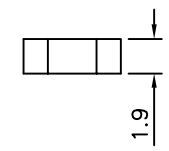
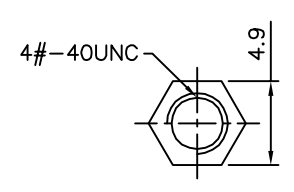
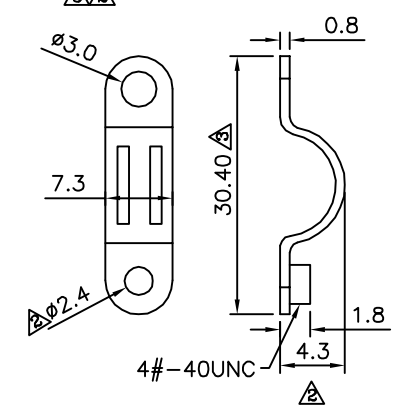
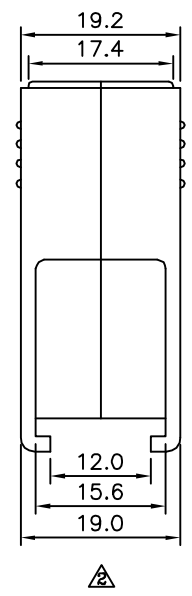
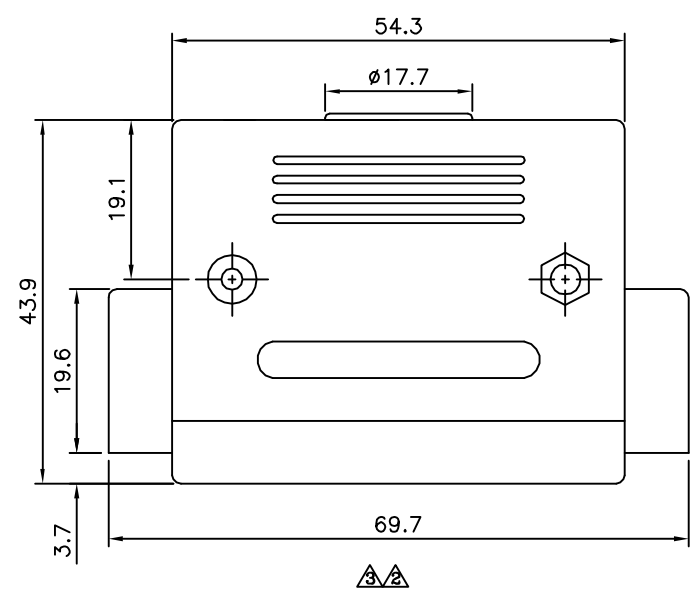
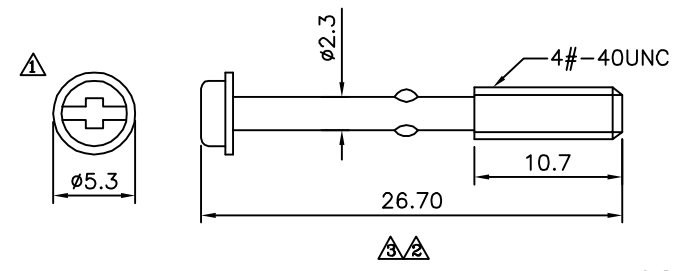
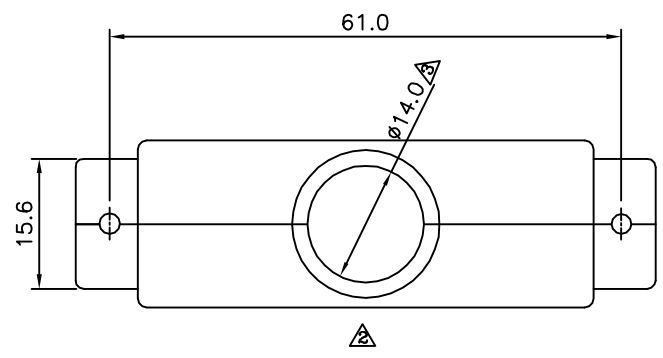


**SPECIFICATION**  
 Insulator:ABS(UL94-HB)  
 Screw & Nut & Clip And Other:Steel,  
 Nickel Plated  
 Packing:1 Bag/Set  
 RoHS Compliant

ITEM	Insulator color
03172	Black
03164	Beige
03157	Gray
03186	Chrome Plated



**4U CON** 元化興業股份有限公司  
 4U CON TECHNOLOGY INC.

DRAWING No.		APPROVED BY		UNLESS OTHERWISE SPECIFIED TOLERANCES ARE X ±0.5 .X ±0.3 .XX ±0.2 ANG. ±5°
03186		MEI		
		CHECKED BY	HZF	
		DRAWING BY	CYP	
SCALE	NONE	REV.	A3	UNIT mm

NO.	REV.	REVISIONS	CHK	DATE
A3		Modify Data	HZF	06/29/2016
A2		Modify Data	HZF	05/13/2013
A1		Modify Data	HZF	02/12/2009
A0		NEW RELEASE	HZF	05/08/2008