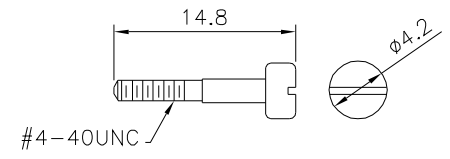
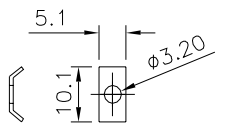
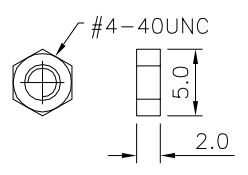
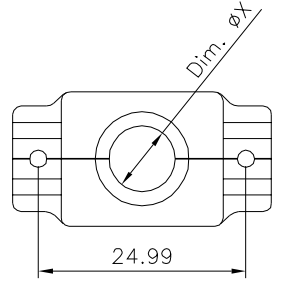
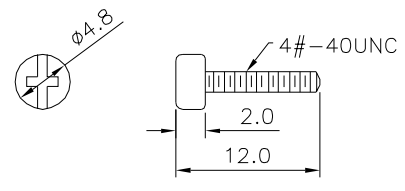
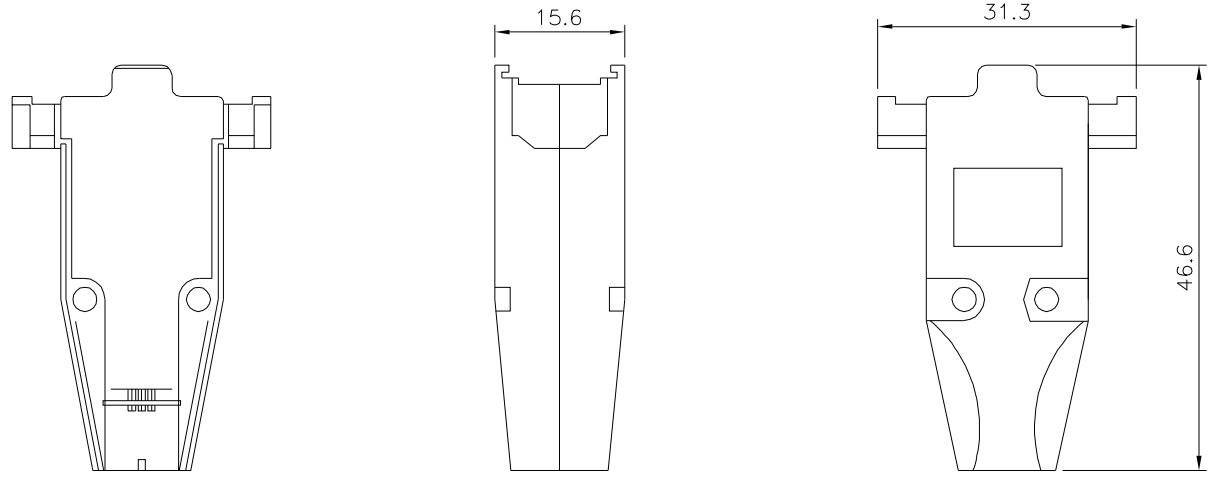


SPECIFICATION

Material: Zinc Alloy, Nickel Plated
 Screw: Steel, Nickel Plated
 RoHS Compliant

Dim. X	Item No.
7.0mm	03404
9.5mm	19360



4UCON 元化興業股份有限公司
 4UCON TECHNOLOGY INC.

DRAWING No.		APPROVED BY		UNLESS OTHERWISE SPECIFIED TOLERANCES ARE X. ± 0.5 .X ± 0.3 .XX ± 0.2 ANG. $\pm 5^\circ$					
03404		MEI							
		HZF							
		DRAWING BY							
		CYP							
SCALE	NONE	REV.	B0	UNIT	ϕ	\triangle B0	NEW RELEASE	HZF	03/25/2017
				mm		NO. REV.	REVISIONS	CHK	DATE