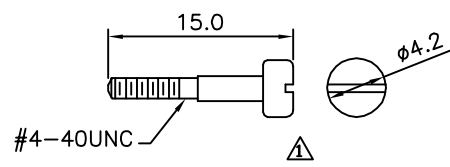
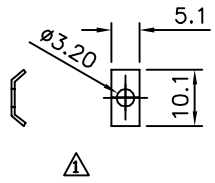
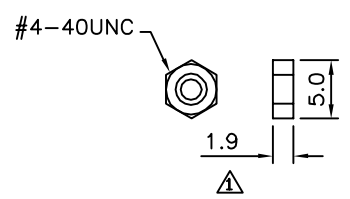
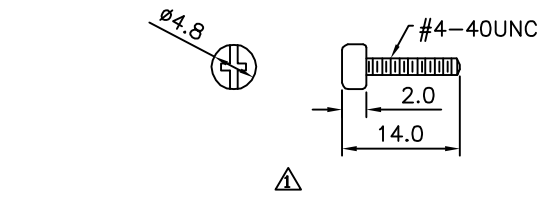
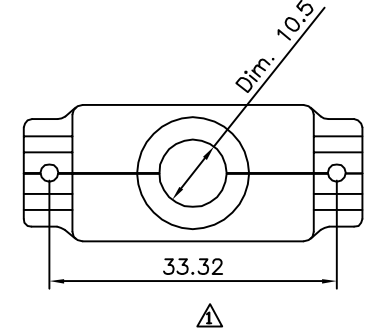
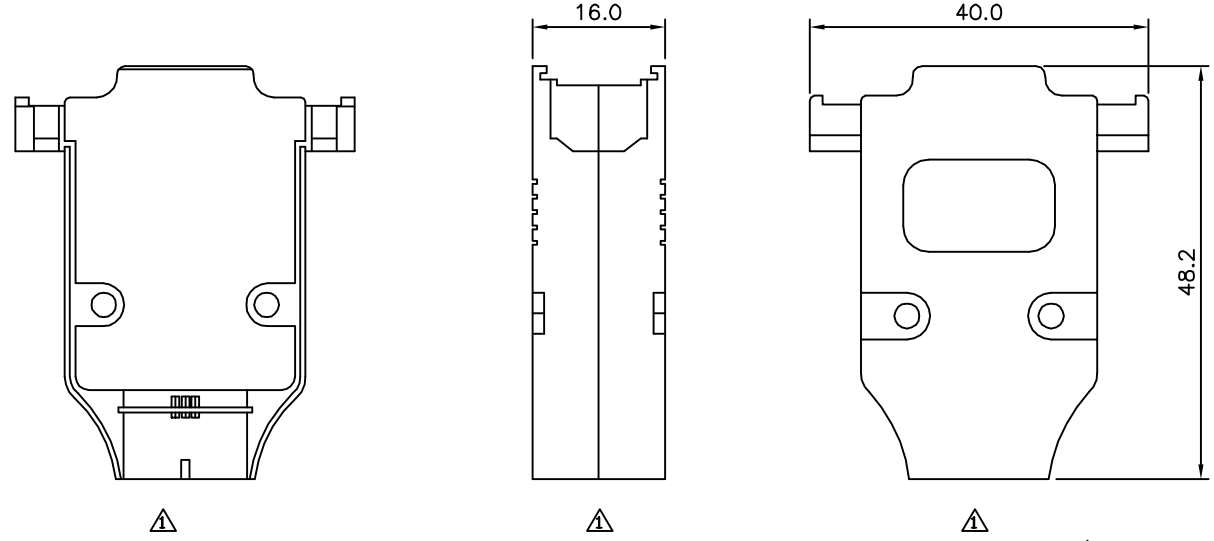


**△ SPECIFICATION**  
 △ Material: Zinc Alloy, Nickel Plated  
 Screw: Steel, Nickel Plated  
 RoHS Compliant



**4UCON** 元化興業股份有限公司  
 4UCON TECHNOLOGY INC.

DRAWING No.  
 03405

APPROVED BY EMILY  
 CHECKED BY HZF  
 DRAWING BY HAO

UNLESS OTHERWISE SPECIFIED TOLERANCES ARE  
 X. ±0.5  
 △.X ±0.3  
 .XX ±0.2  
 ANG. ±5°

SCALE NONE REV. A2 UNIT mm

NO.	REV.	REVISIONS	CHK	DATE
△A2		Modify Data	HZF	03/10/2015
△A1		Modify Data	HZF	02/13/2012
△A0		NEW RELEASE	HZF	05/28/2007