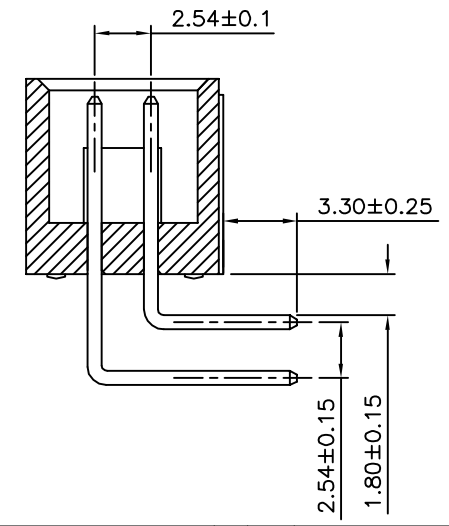
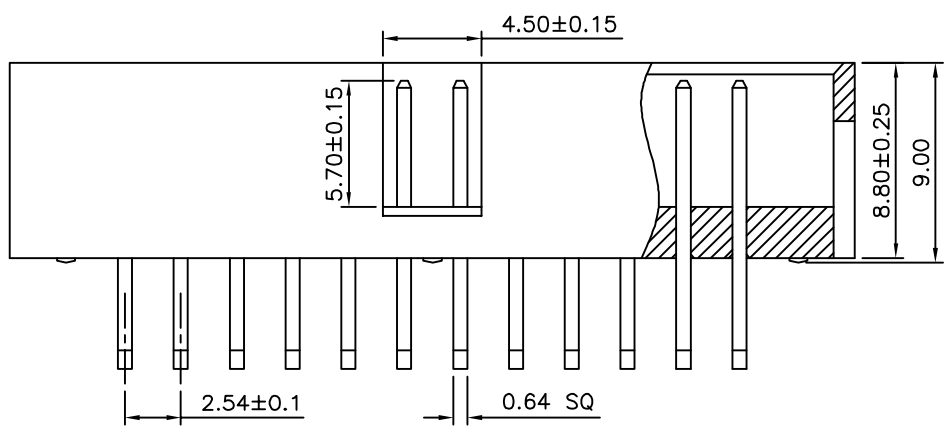
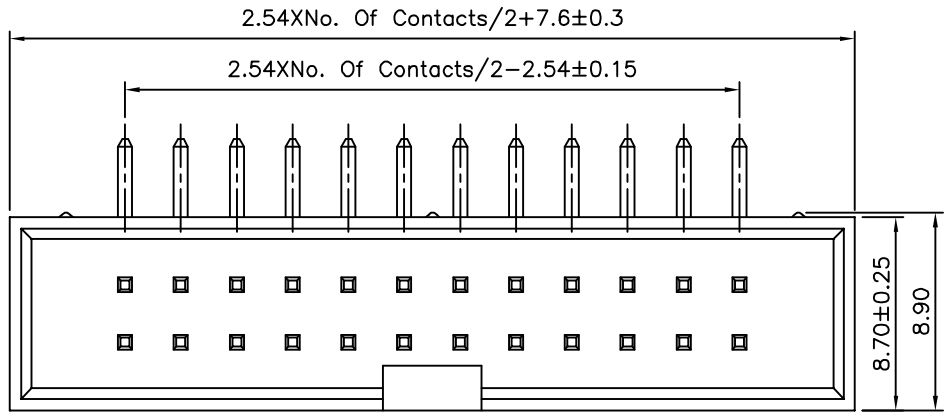


Recommended P.C.Board Layout
PCB Tolerance: ±0.05(Top View)

SPECIFICATION
 Current Rating: 3 Amps
 Withstand Voltage: 1000V AC
 Contact Resistance: 20 Milliohms Max.
 Insulation Resistance: 1000 Megaohms Min.
 Operation Temperature: -40°C ~ +105°C
 Max. Processing Temp.: 180°C For 30~60 Seconds
 (220°C For 10 Seconds)
 Insulator: PBT(UL94V-0), Black
 Contact: Brass, Gold Plated Over Nickel
 RoHS Compliant



4UCON 元化興業股份有限公司
4UCON TECHNOLOGY INC.

| | | | | |
|-------------|------|-------------|----|--------------------------------------------------------------------------------------------------------|
| DRAWING No. | | APPROVED BY | | UNLESS OTHERWISE SPECIFIED TOLERANCES ARE X. ±0.3 X.* ±5* .X ±0.2 .X* ±1* .XX ±0.1 .XX* ±0.5* |
| 03492 | | MEI | | |
| | | CHECKED BY | | |
| | | HZF | | |
| | | DRAWING BY | | UNIT mm |
| | | SONG | | |
| SCALE | NONE | REV. | A0 | NO. REV. |

| | | | |
|----------|-------------|-----|------------|
| AO | NEW RELEASE | HZF | 12/18/2010 |
| NO. REV. | REVISIONS | CHK | DATE |