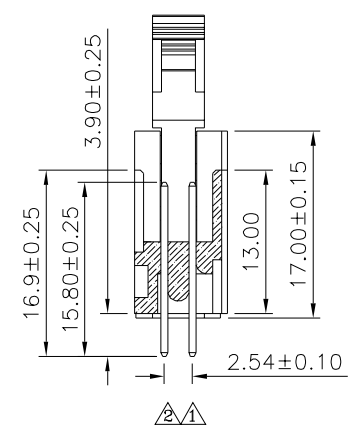


△ SPECIFICATION
 Current Rating:3 Amp
 Withstand Voltage:1000V AC
 Contact Resistance:20 Milliohms Max.
 Insulation Resistance:1000 Megaohms Min.
 Operation Temperature:-40°C~+105°C
 Insulator:PBT(UL94V-0),Black
 Contact:Brass,Gold Flash Over Nickel
 Only 60P~64P With Slot "A"
 Less Than 18 Pin Without Slot "B"
 RoHS Compliant



4UCON 元化興業股份有限公司
 4UCON TECHNOLOGY INC.

DRAWING No.		APPROVED BY	
03824		MEI	
		CHECKED BY	HZF
		DRAWING BY	CYP
SCALE	NONE	REV.	A3

UNLESS OTHERWISE SPECIFIED TOLERANCES ARE				
△	X.	± 0.25	X.*	$\pm 2^*$
△	.X	± 0.20	.X*	$\pm 1.5^*$
△	.XX	± 0.15	.XX*	$\pm 1^*$
△	.XXX	± 0.10	.XXX*	$\pm 0.5^*$
UNIT	mm			
NO.	REV.	REVISIONS		DATE
△3	A3	Modify Data	HZF	05/29/2015
△2	A2	Modify Data	HZF	04/22/2015
△1	A1	Modify Data	HZF	03/06/2014
△0	A0	NEW RELEASE	HZF	05/16/2012