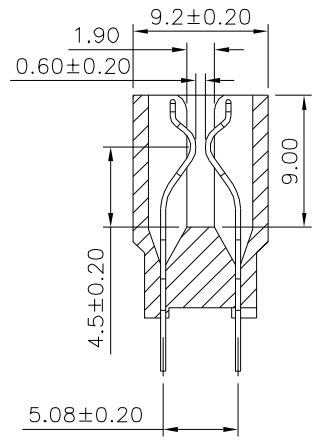
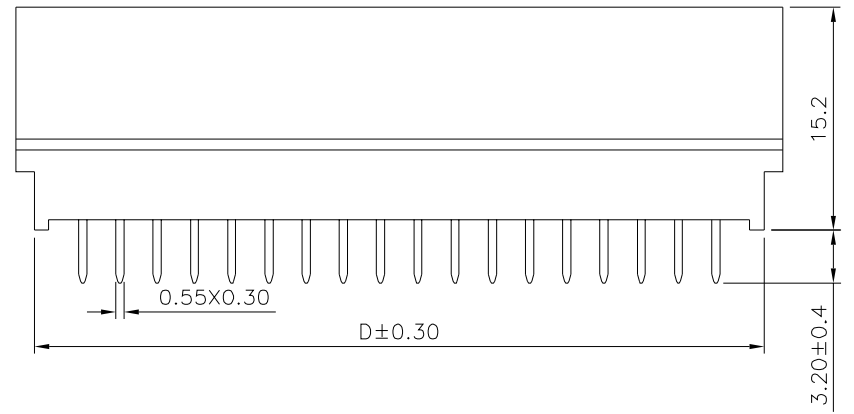
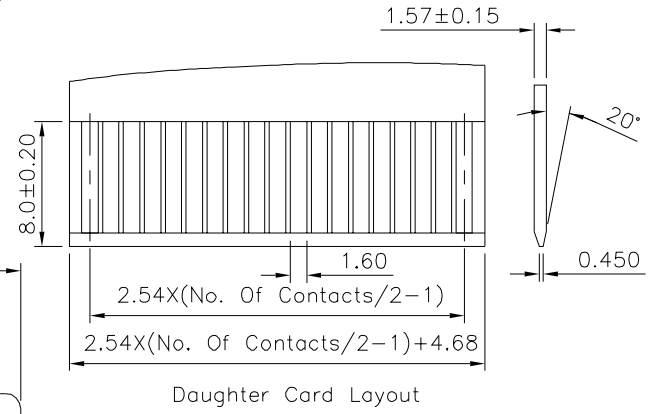
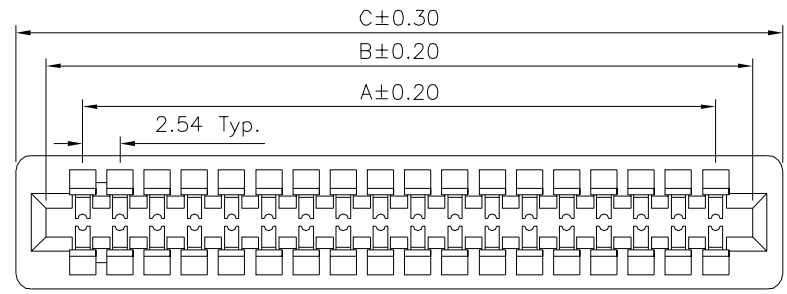


**SPECIFICATION**

Current Rating:3A  
 Dielectric Withstanding Voltage:1000V AC/Minute  
 Contact Resistance:20 Milliohms Max.  
 Insulation Resistance:5000 Megaohms Min. At 500V DC  
 Operation Temperature:-55°C~+85°C  
 Insertion Force:340g Max. Per Pair  
 Withdrawal Force:28g Min. Per Pair  
 Insulator:PBT+G.F.(UL94V-0)  
 Contact:Brass,Gold Flash On Contact Area,  
 Tin Plated On Solder Tails,Over Nickel  
 RoHS Compliant



Pin	A	B	C	D	Pin	A	B	C	D
04	2.54	7.62	11.68	9.58	44	53.34	58.42	62.48	60.38
06	5.08	10.16	14.22	12.12	46	55.88	60.96	65.02	62.92
08	7.62	12.70	16.76	14.66	48	58.42	63.50	67.56	65.46
10	10.16	15.24	19.30	17.20	50	60.96	66.04	70.10	68.00
12	12.70	17.78	21.84	19.74	52	63.50	68.58	72.64	70.54
14	15.24	20.32	24.38	22.28	54	66.04	71.12	75.18	73.08
16	17.78	22.86	26.92	24.82	56	68.58	73.66	77.72	75.62
18	20.32	25.40	29.46	27.36	58	71.12	76.20	80.26	78.16
20	22.86	27.94	32.00	29.90	60	73.66	78.74	82.80	80.70
22	25.40	30.48	34.54	32.44	62	76.20	81.28	85.34	83.34
24	27.94	33.02	37.08	34.98	64	78.74	83.82	87.88	85.78
26	30.48	35.56	39.62	37.52	66	81.28	86.36	90.42	88.32
28	33.02	38.10	42.16	40.06	68	83.82	88.90	92.96	90.86
30	35.56	40.64	44.70	42.60	70	86.36	91.44	95.50	93.40
32	38.10	43.18	47.24	45.14	72	88.90	93.98	98.04	95.94
34	40.64	45.72	49.78	47.68	80	99.06	104.14	108.20	106.10
36	43.18	48.26	52.32	50.22	86	106.68	111.76	115.82	113.72
38	45.72	50.80	54.86	52.76					
40	48.26	53.34	57.40	55.30					
42	50.80	55.88	59.94	57.84					

**4UCON** 元化興業股份有限公司  
 4UCON TECHNOLOGY INC.

DRAWING No. 04588

APPROVED BY MEI  
 CHECKED BY HZF  
 DRAWING BY HAO

UNLESS OTHERWISE SPECIFIED TOLERANCES ARE  
 .X ±0.38  
 .XX ±0.25  
 ANG.

SCALE NONE REV. B1 UNIT mm

NO.	REV.	REVISIONS	CHK	DATE
△	B1	Modify Data	HZF	06/21/2025
△	B0	NEW RELEASE	HZF	03/27/2025