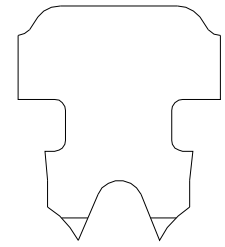
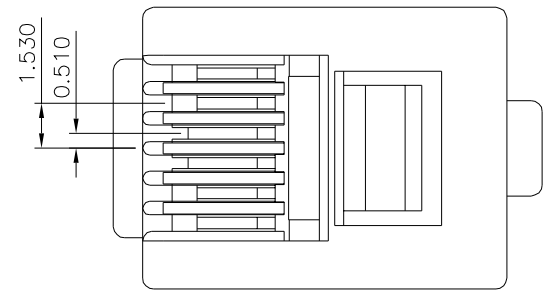
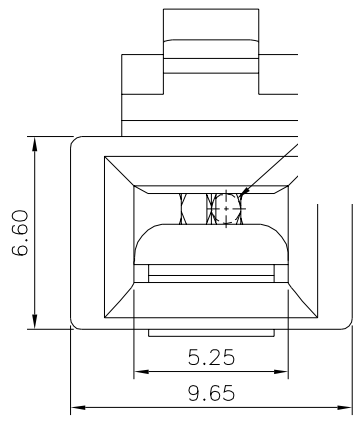
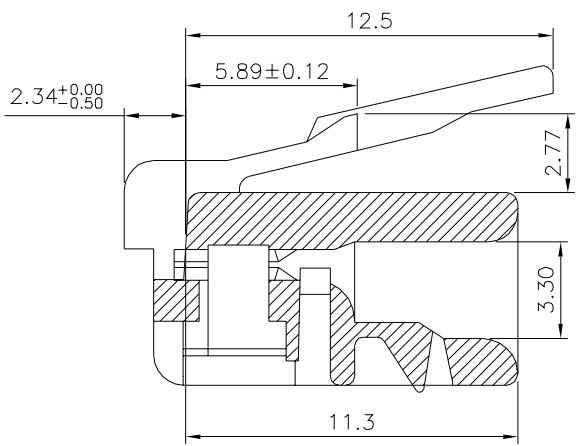
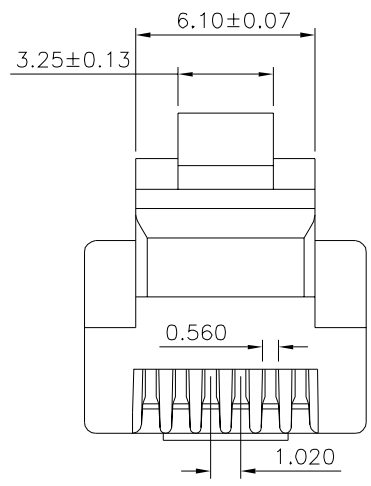
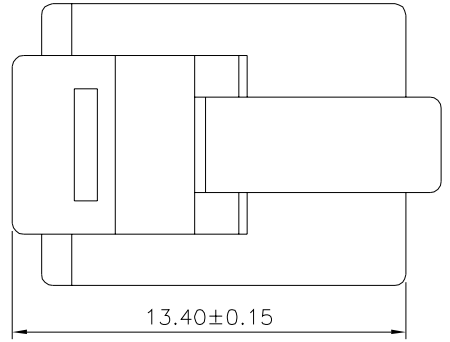


SPECIFICATION

Rating: 250V AC Max. At 2A
 Withstand Voltage: 1000V DC/Minute, <0.5A
 Contact Resistance: <20 Milliohms
 Insulation Resistance: >500 Megaohms
 At 1000V DC/Minute
 Operation Temperature: -40°C ~ +125°C
 Housing: PC
 Terminal: Brass
 Gold Plated 15u" On Contact Area,
 Gold Flash On Other Area, Over Nickel
 Durability: 2000 Mating Cycles
 Cable To Plug Tensile Strength: 20LBS(89N) Min.
 RoHS Compliant



2 Prongs For Stranded Wire

4UCON 元化興業股份有限公司
 4UCON TECHNOLOGY INC.

DRAWING No.		APPROVED BY		UNLESS OTHERWISE SPECIFIED TOLERANCES ARE .X ±0.2 .XX ±0.10 .XXX ±0.050 ANG. ±2°
04834		MEI		
		CHECKED BY		
		HZF		
		DRAWING BY		UNIT mm
		CYP		
SCALE	NONE	REV.	A0	

NO.	REV.	REVISIONS	CHK	DATE
△ A0		NEW RELEASE	HZF	10/02/2017