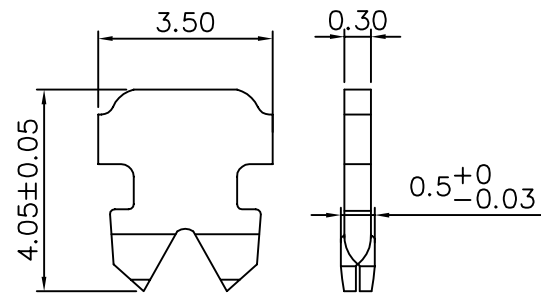
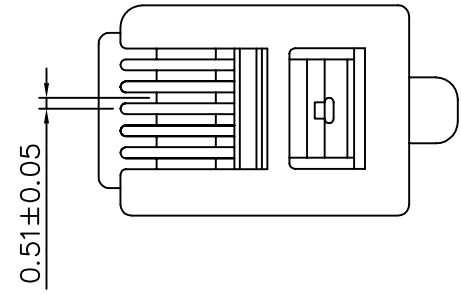
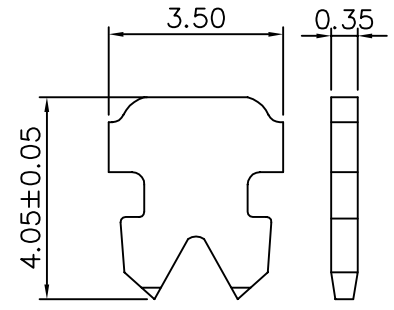
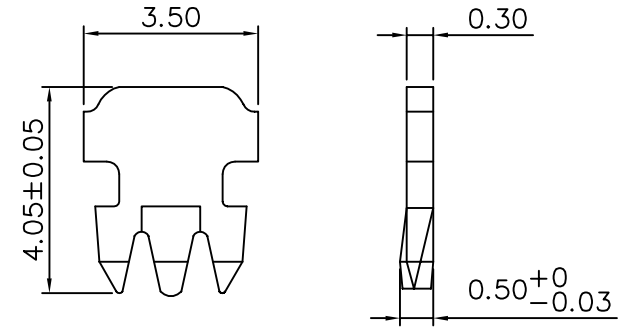


**SPECIFICATIONS:**  
 Insulator : Polycarbonate,UL 94V-2  
 Contact: Copper Alloy,Gold Flash 6u"



2 Prongs For Solid Wire



3 Prongs For Solid Wire

**4UCON** 元化興業股份有限公司  
 4UCON TECHNOLOGY INC.

DRAWING No.  
 04836

APPROVED BY MEI  
 CHECKED BY RAN  
 DRAWING BY HZF

UNLESS OTHERWISE SPECIFIED  
 TOLERANCES ARE  
 .X ±0.38  
 .XX ±0.25  
 AWG.

SCALE NONE REV. A UNIT mm

AREA REVISIONS CHK DATE