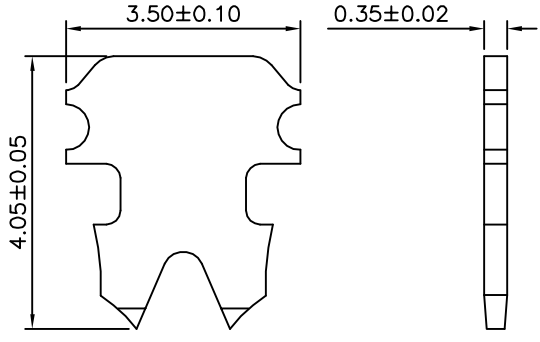
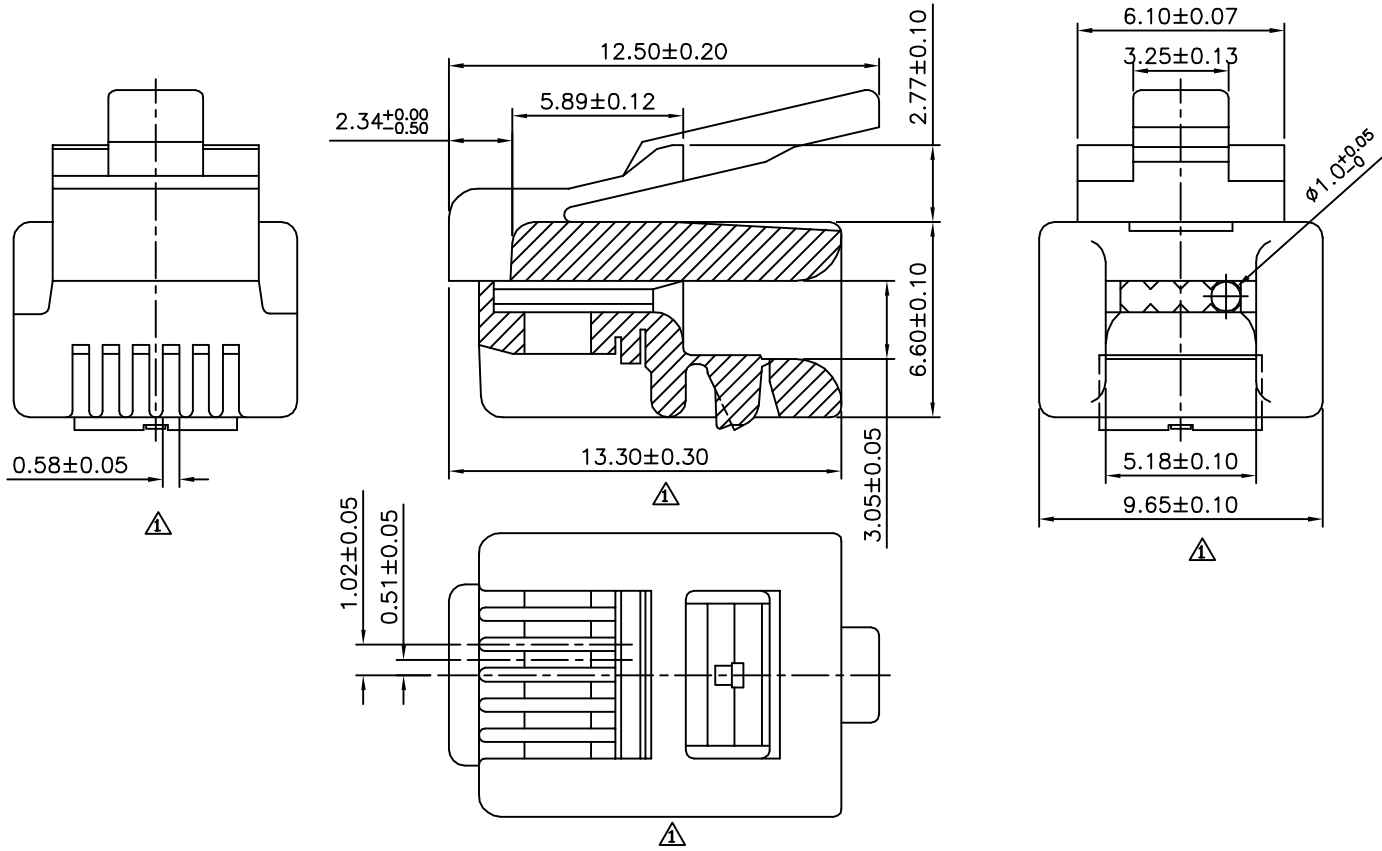


△ SPECIFICATION
 Housing:PC(UL94V-2)
 Contact:Phosphor Bronze
 Available For 24 Or 26 AWG Wire
 RoHS Compliant



△ 2 Prongs For Stranded Wire

Plating options	
Gold Flash	Gold Flash Over All,Over Nickel
3u"	Gold Plated 3u" On Contact Area, Gold Flash On Other Area,Over Nickel
6u"	Gold Plated 6u" On Contact Area, Gold Flash On Other Area,Over Nickel
15u"	Gold Plated 15u" On Contact Area, Gold Flash On Other Area,Over Nickel
30u"	Gold Plated 30u" On Contact Area, Gold Flash On Other Area,Over Nickel
50u"	Gold Plated 50u" On Contact Area, Gold Flash On Other Area,Over Nickel

4UCON 元化興業股份有限公司
 4UCON TECHNOLOGY INC.

DRAWING No.		APPROVED BY		UNLESS OTHERWISE SPECIFIED TOLERANCES ARE .X ±0.38 .XX ±0.25 ANG.
04837		MEI		
		CHECKED BY		
		HZF		
		DRAWING BY		UNIT mm
		SONG		
SCALE	NONE	REV.	A1	☉

NO.	REV.	REVISIONS	CHK	DATE
△ A1		Modify Data	HZF	07/18/2012
△ A0		NEW RELEASE	BECKY	02/14/2006