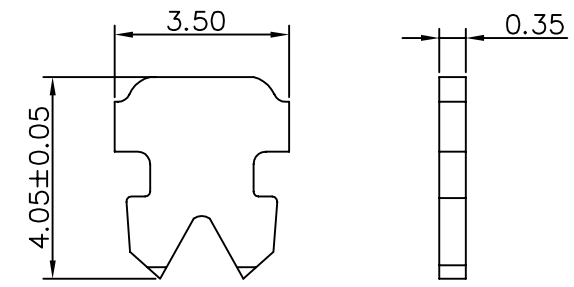
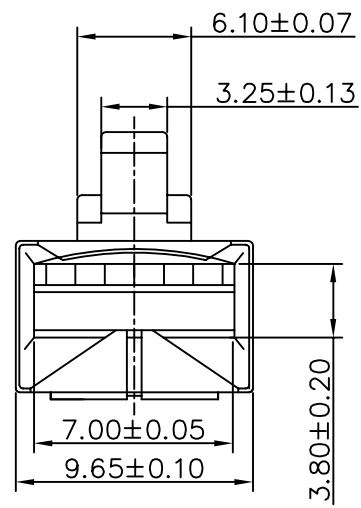
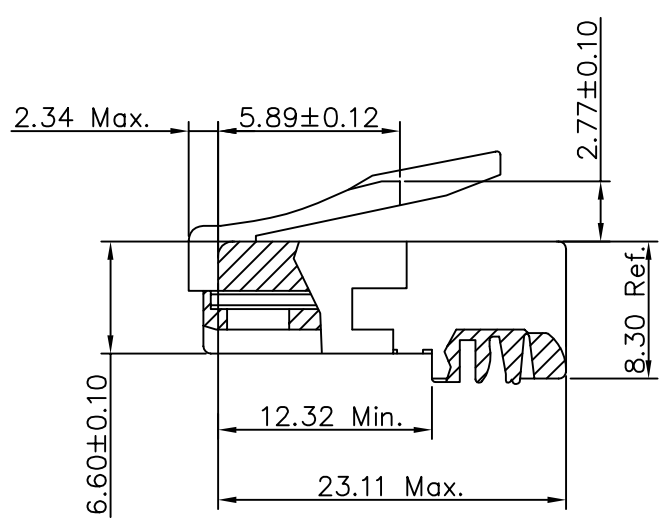
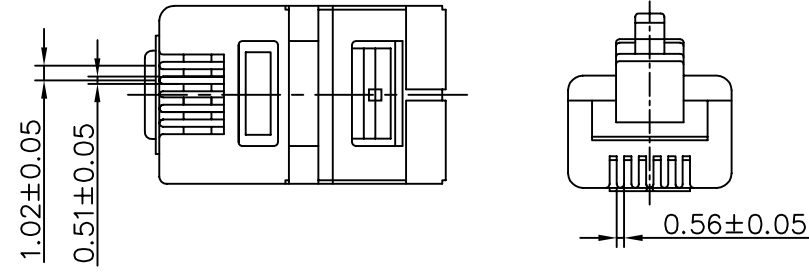


SPECIFICATIONS:
 Insulator : Polycarbonate,UL 94V-2
 Contact: Copper Alloy,Gold Flash All Over



1. Prongs For Stranded Wire

4UCON 元化興業股份有限公司
 4UCON TECHNOLOGY INC.

DRAWING No.
 04856

APPROVED BY
 MEI
 CHECKED BY
 RAN
 DRAWING BY
 HZF

UNLESS OTHERWISE SPECIFIED TOLERANCES ARE
 .X ±0.38
 .XX ±0.25
 .XXX

SCALE NONE REV. A UNIT mm

AREA	REVISIONS	CHK	DATE