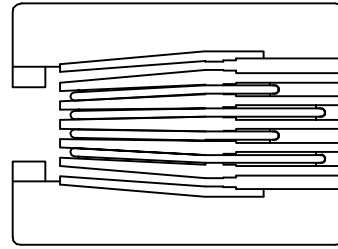
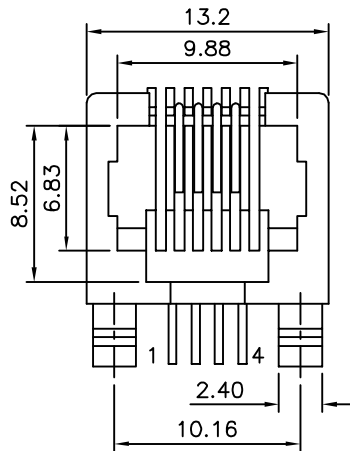


△ SPECIFICATION

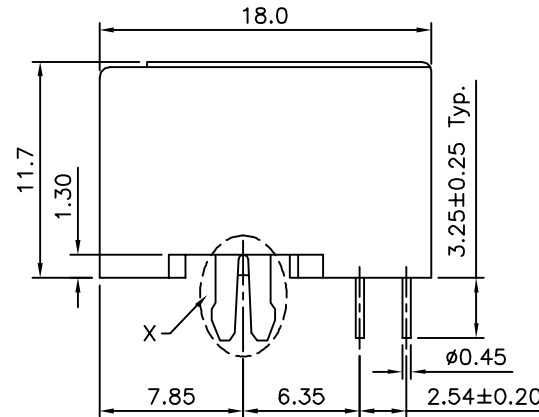
Housing: PBT+G.F.(UL94V-0), Black
 Contact: Phosphor Bronze $\phi 0.45$ mm
 Gold Plated 6u" Over All, Over Nickel
 Cavity Confirms To FCC Rules And
 Regulations Part 68, Subpart F.
 RoHS Compliant



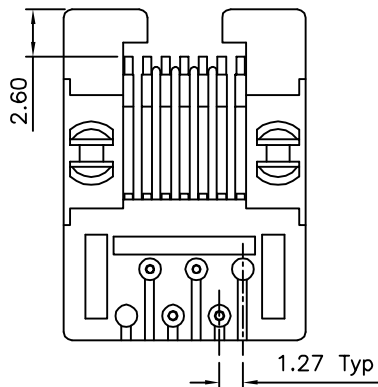
△



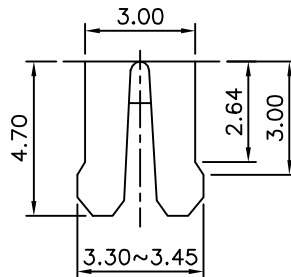
△



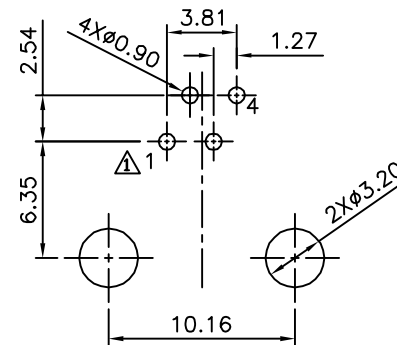
△



△



△ Detail X



Recommended P.C.B. Layout

4UCON 元化興業股份有限公司
 4UCON TECHNOLOGY INC.

DRAWING No.

04889

APPROVED BY

MEI

CHECKED BY

HZF

DRAWING BY

SONG

REV. A1

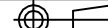
UNLESS OTHERWISE SPECIFIED TOLERANCES ARE
 △ .X ±0.25
 .XX ±0.13
 .XXX ±0.05
 ANG. ±0.5°

SCALE

NONE

UNIT

mm



NO. REV.

REVISIONS

CHK

DATE

△ A1	Modify Data	HZF	10/29/2012
△ A0	NEW RELEASE	RAN	