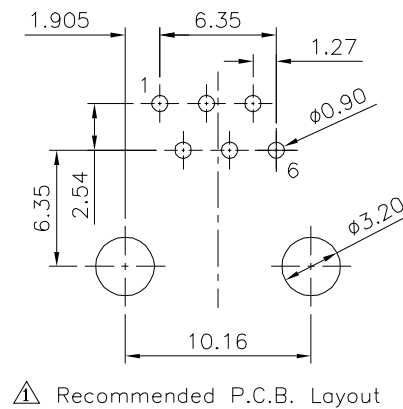
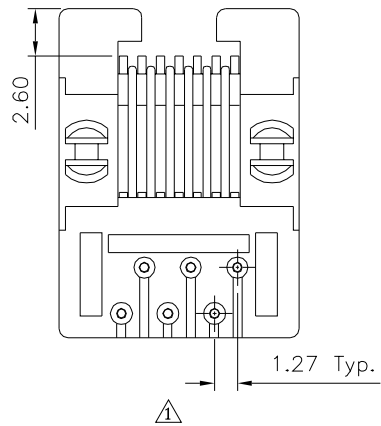
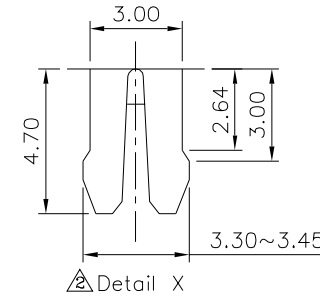
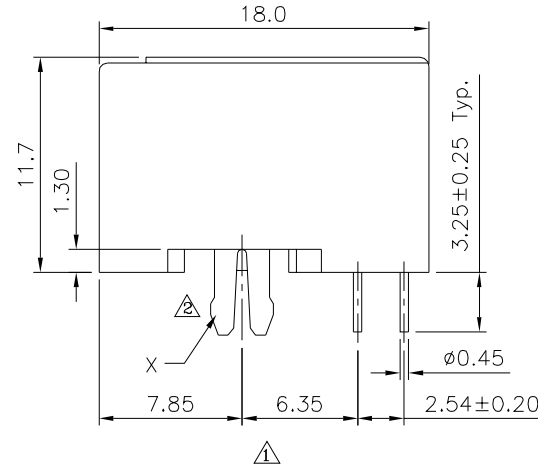
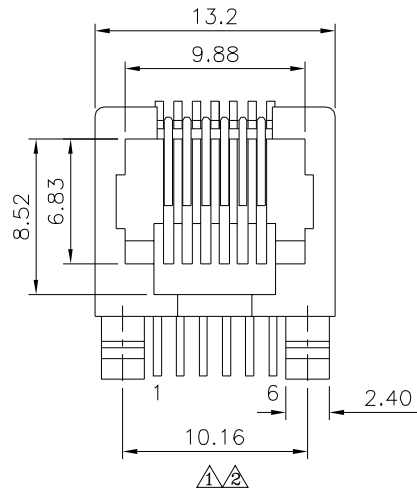


△△ SPECIFICATION

Current Rating: 1.5A Max.
 Voltage Rating: 150V AC Max.
 Operating Temperature: -40°C ~ +85°C
 Relative Humidity: 70% ± 10% RH
 Insulation Resistance: 500 Megaohms Min. Initial
 At 500V DC
 Contact Resistance: 20 Milliohms Max. Initial
 30 Milliohms Max. Final
 Durability: 750 Cycles
 Dielectric Withstanding Voltage:
 1000V RMS. At 60Hz, 1 Minute Between
 Adjacent Contacts
 1500V RMS. At 60Hz, 1 Minute Between
 Shield And Contacts
 Housing: PBT+G.F.(UL94V-0), Black
 Contact: Phosphor Bronze
 Gold Plated 06u" Over All, Over Nickel
 Cavity Conforms To FCC Rules And Regulations
 Part 68, Subpart F.
 RoHS Compliant



△ Recommended P.C.B. Layout

4UCON 元化興業股份有限公司
 4UCON TECHNOLOGY INC.

DRAWING No. △

04890

APPROVED BY MEI
 CHECKED BY HZF
 DRAWING BY CYP

SCALE NONE

REV. A3

UNLESS OTHERWISE SPECIFIED TOLERANCES ARE
 .X ± 0.25
 .XX ± 0.13
 .XXX ± 0.05
 ANG. ± 0.5°

UNIT mm

NO.	REV.	REVISIONS	CHK	DATE
△3	A3	Modify Data	HZF	08/02/2018
△2	A2	Modify Data	HZF	03/13/2015
△1	A1	Modify Data	HZF	07/03/2013
△0	A0	NEW RELEASE	HZF	